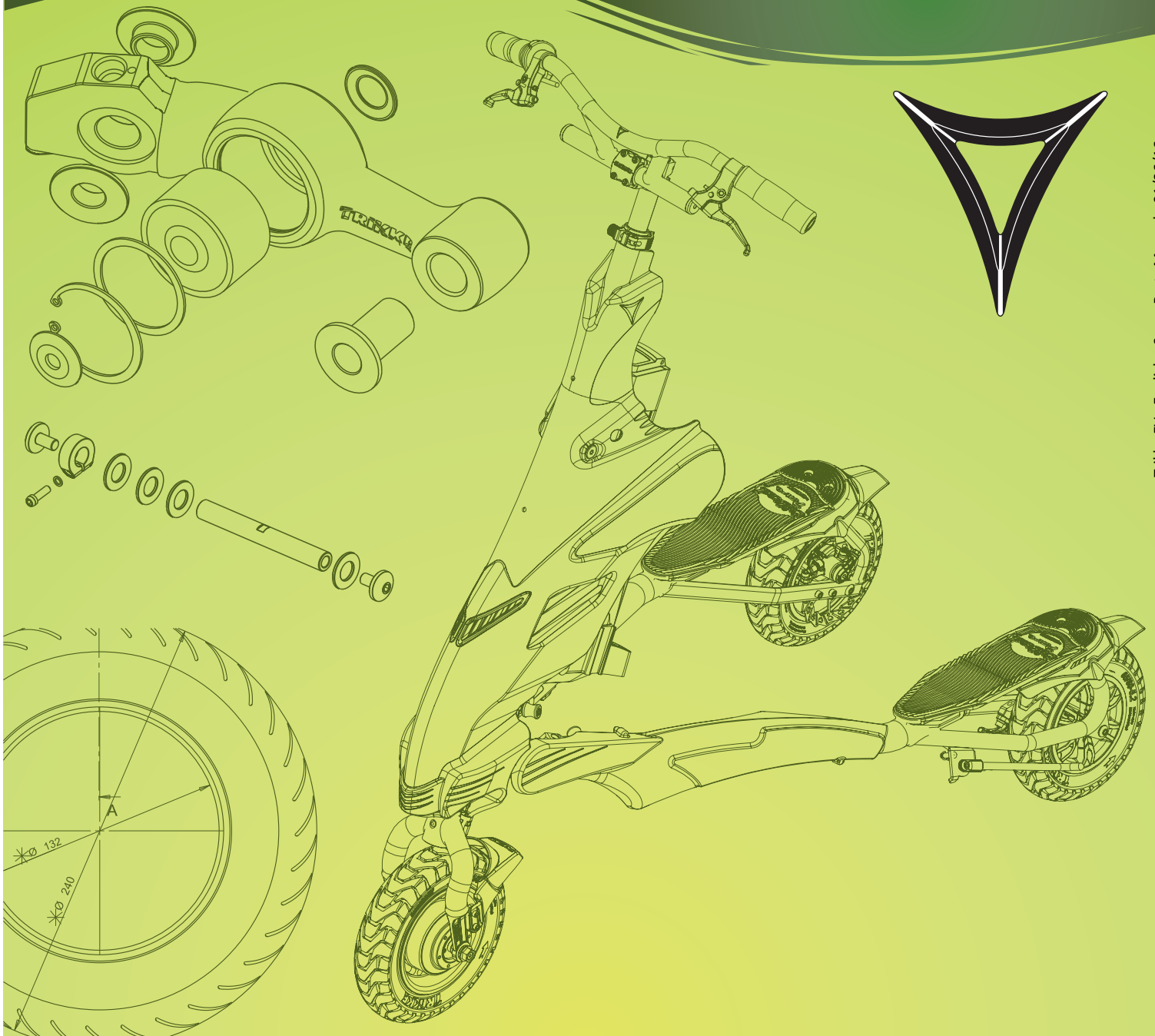


TRIKKE™

ELECTRIC VEHICLES

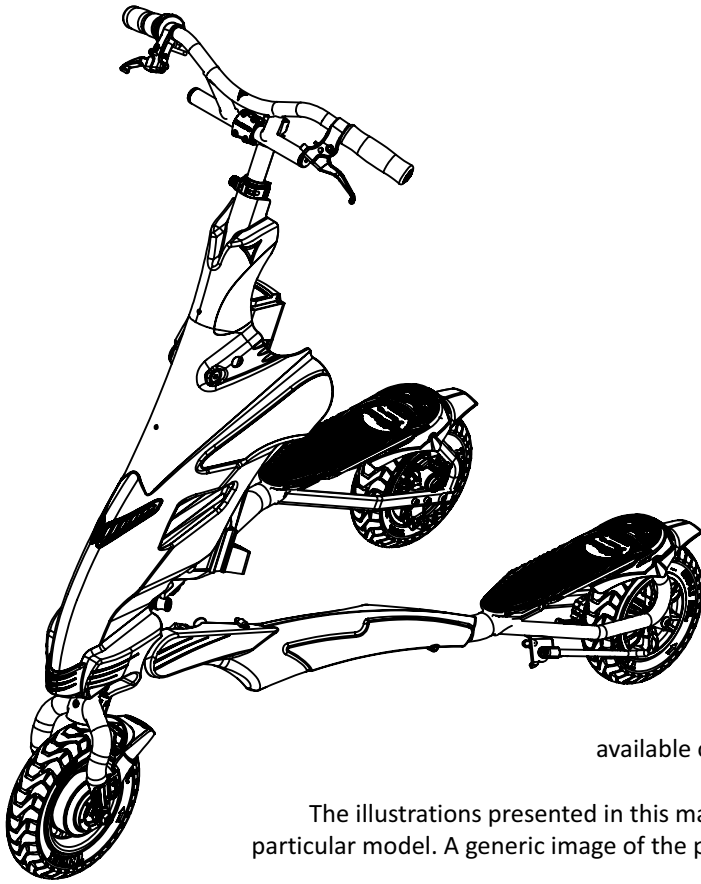


Trikke EV - English - Spare Parts Manual - 01/26/16

Spare Parts Manual

THIS MANUAL REFERS TO MODELS:

EV 36VL, 36V, 48V



About the Replacement Parts Manual

This manual identifies and lists all the commercial replacement parts available for the Trikke Tribred Pon-e models available by the date of issue.

The information contained in this document allows the customer or service center to obtain a commercial part number and order the correct replacement part for the vehicle.

Assemblies are broken down by groups. The exploded views will help to locate individual parts within the assembly, showing how they are grouped and available for sale.

It's important to keep the manual up to date. New revisions will be issued with time and subscribers will be notified about the revisions and a brief summary. The most updated version of this manual is also

available online for download.

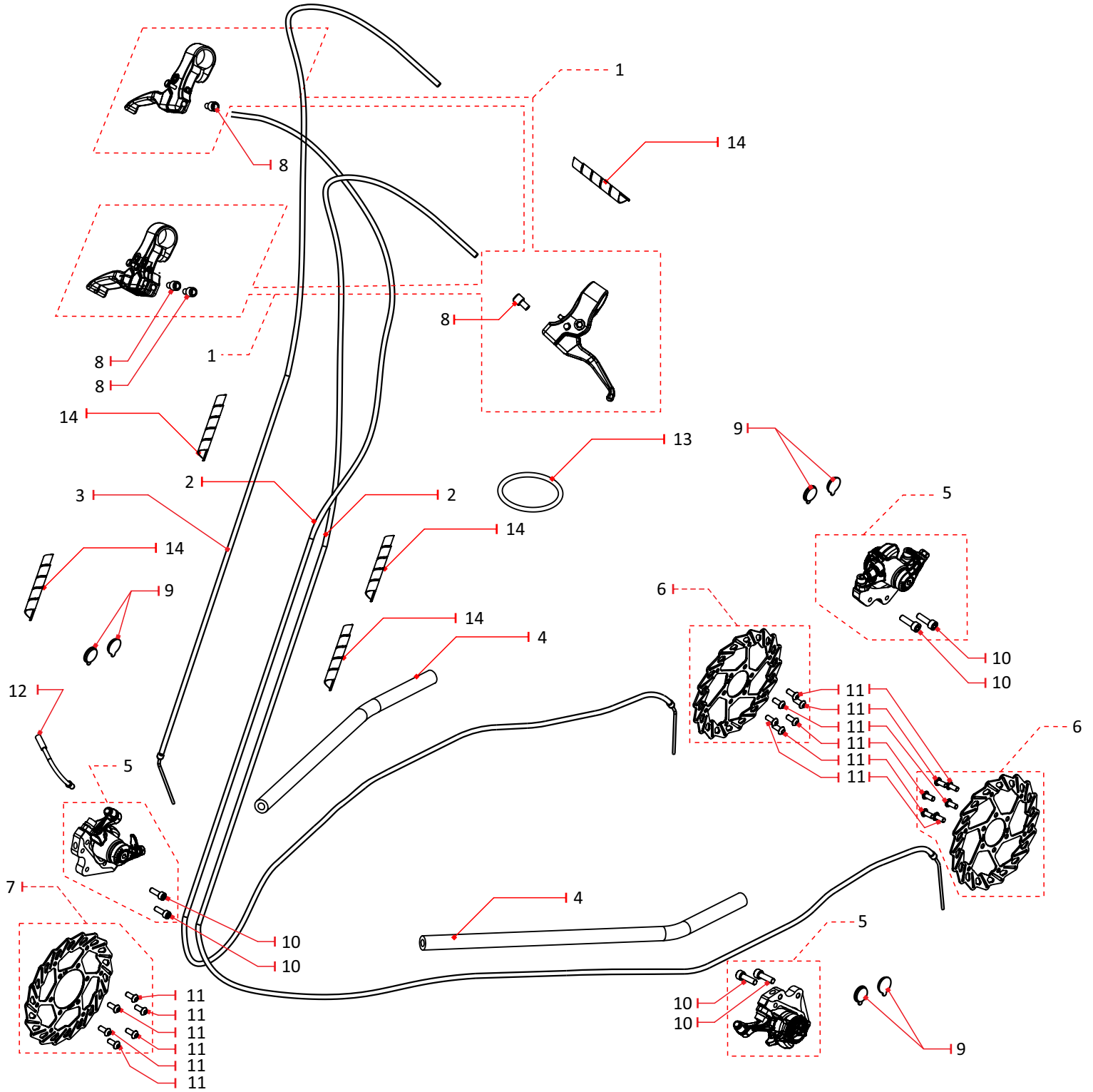
The illustrations presented in this manual may be slightly different from the actual part in a particular model. A generic image of the part is used for identification purpose.

How To Locate a Part

The parts are presented within a function group. Once the part is located on the explode view, the part number, part name, qty per vehicle, and versions can be identified on the list below the image. Always pay attention to the vehicle model, version and year, which can be identified by the serial number.

- **Brake Group** - page 2
- **Cambering Group** - page 4
- **Folding Group** - page 5
- **Frame Group** - page 6
- **Wheel Group** - page 7
- **Electric Group** - page 8
- **Steering Group** - page 11
- **Trim Group** - page 13

Group: **BRAKE (B)**

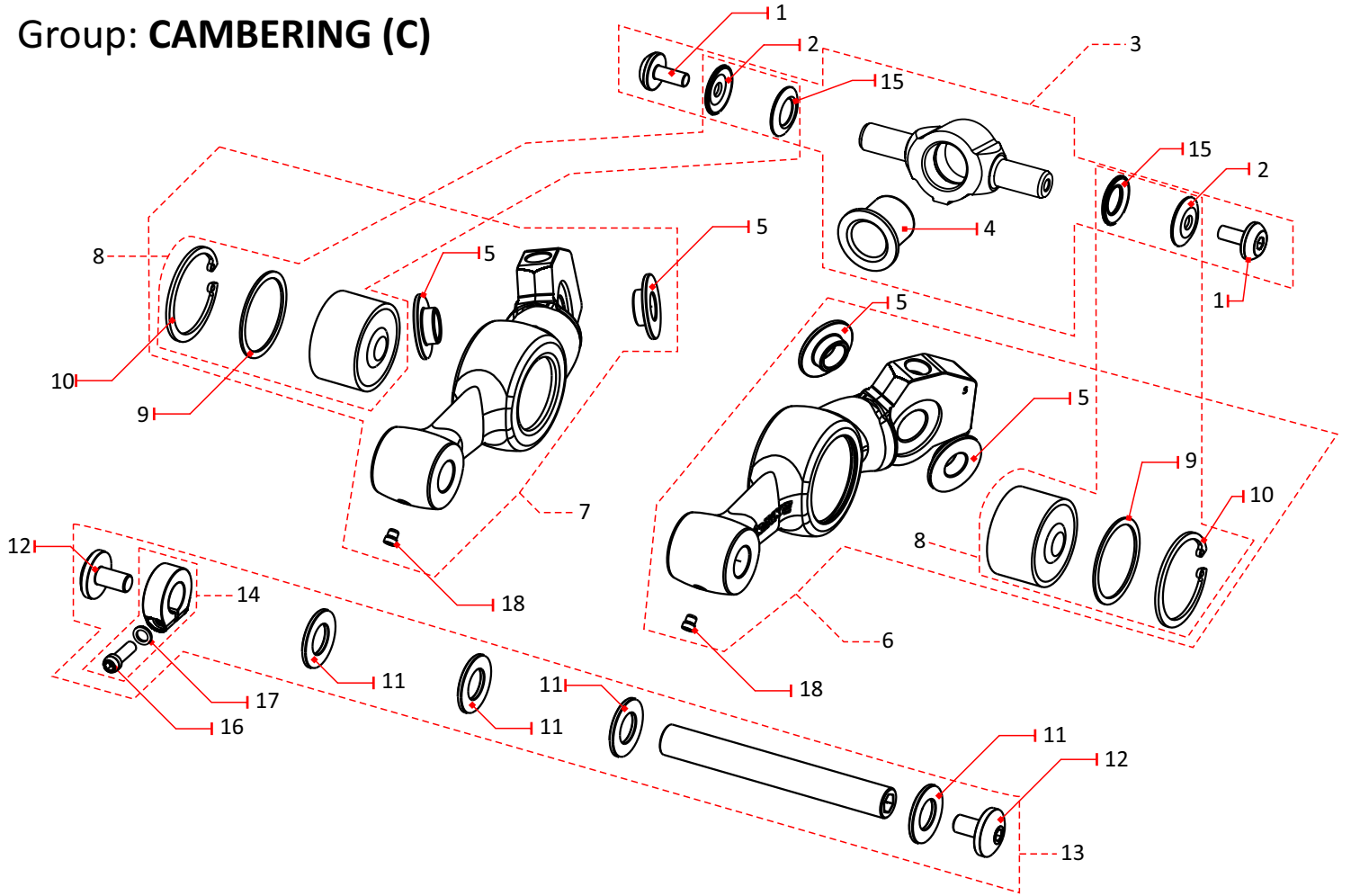


Group: BRAKE (B)

ITEM	REFERENCE	PART NAME	QTY*	MODEL	NOTE
1	BL-006	BRAKE LEVER PAIR w/ lock DISC	01	36V - 48V	Promax LK-162AP w/ lock
2	BCS-007	BRAKE CABLE SET, PAIR	01	36V - 48V	up to Dec2015 (cables with housings)
	BCS-010	BRAKE CABLE SET, PAIR	01	36V - 48V	Promax from Jan2016 (cables with housings)
3	BCS-011	BRAKE CABLE SET, FRONT T8h	01	36V - 48V	Promax from Jan 2016 on (cable with housing) FRONT
4	CUS-001	CUSHION, ARM BRAKE CABLE	02	36V - 48V	
5	BCP-001	BRAKE CALIPER SET, DISC LH	02	36V - 48V	up to Dec2015, with bolts, right arm
	BCP-002	BRAKE CALIPER SET, DISC RH	01	36V - 48V	up to Dec2015, with bolts, left arm
	BCP-003	BRAKE CALIPER SET, DISC Pon-e	02	36V - 48V	from Jan2016, with bolts (rear any side)
	BCP-003	BRAKE CALIPER SET, DISC Pon-e	01	36V - 48V	from Jan2016, with bolts (front - optional)
6	BRS-002	BRAKE ROTOR SET, DISC T8h	02	36V - 48V	up to Dec2015 (with bolts)
	BRS-003	BRAKE ROTOR SET, DISC T8h	02	36V - 48V	from Jan2016 (with bolts)
7	BRS-004	BRAKE ROTOR SET, DISC T8h	01	36V - 48V	diam 140mm (with 6 bolts) - front
8	BLA-001C	STOPPER, BRAKE LEVER CABLE	02	36V - 48V	
9	PBS-006	PAD SET, BRAKE T8h	02	36V - 48V	up to Dec2015, disc brake pads (pair is for one caliper)
	PBS-009	PAD SET, BRAKE T8h	02	36V - 48V	Promax - from Jan2016, disc brake pads (pair is for one caliper)
10	BT-017	BOLT, BRAKE LEVER	04	36V - 48V	M5 x 15 x 9.8
	BT-001	BOLT, M6 x 20 x 10 (DIN 912)	04	36V - 48V	M6 x 20 x 10
11	BT-018	BOLT, DISC BRAKE	08	36V - 48V	up to Dec2015, M5 x 12 hex3 pan head
	BT-018	BOLT, DISC BRAKE	12	36V - 48V	Promax from Jan2016, M5 x 12 hex4 pan head
12	GC-001	GUIDE, CABLE	01	36V - 48V	Promax from Jan 2016 on (front brake only)
13	OR-003	O'RING, FRONT CABLES (50 x 4)	01	36V - 48V	
14	WRP-002	WRAP, SPIRAL CABLE	05	36V - 48V	

*Quantity needed to 1 brake set.

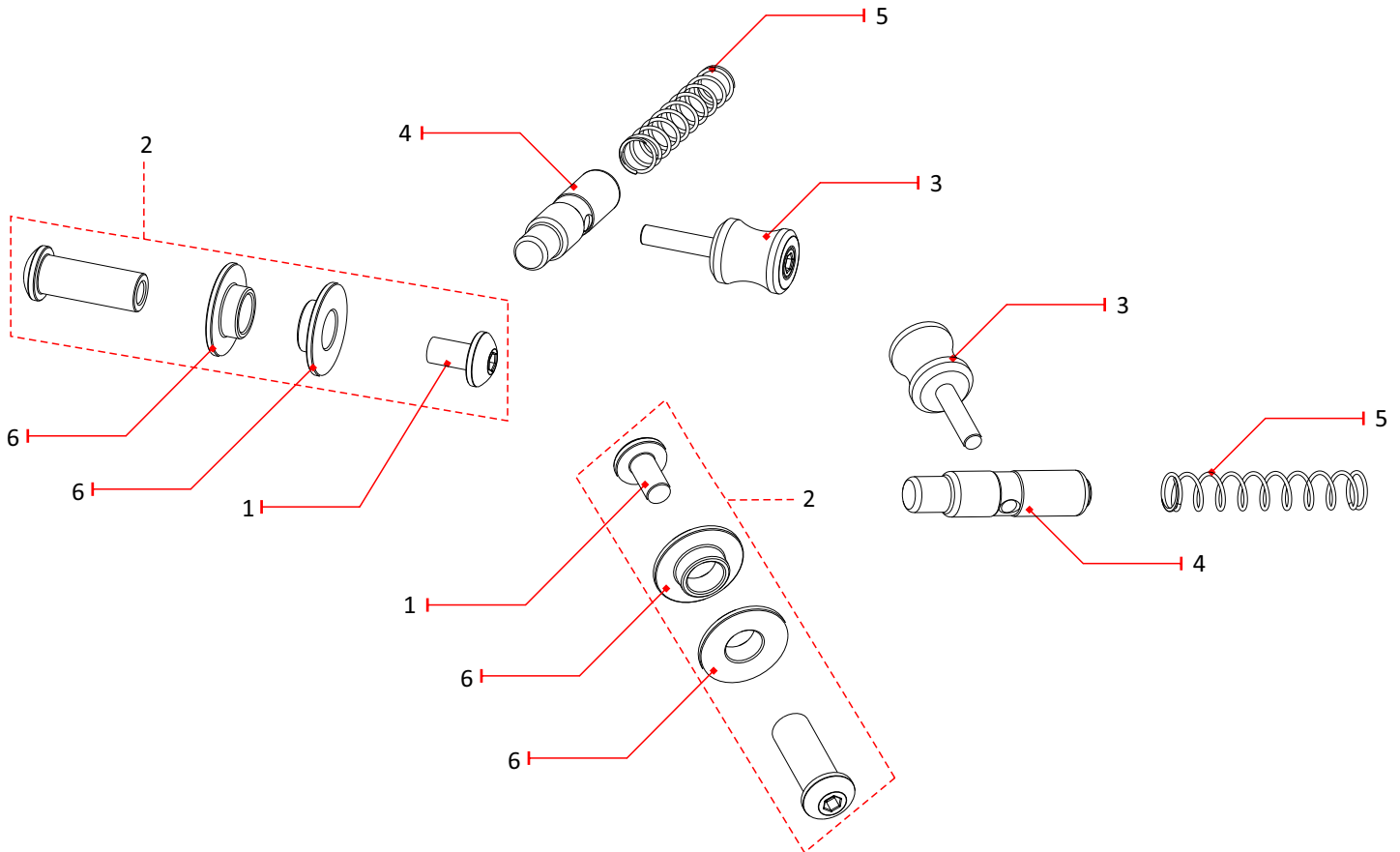
Group: CAMBERING (C)



ITEM	REFERENCE	PART NAME	QTY*	MODEL	NOTE
1	BT-020	BOLT, YOKE all	02	36V - 48V	M6 x 15 x 17 hex5 Dacro finish
2	WA-003	WASHER, PU BUSHING outside	02	36V - 48V	22x6x2
3	YKS-004	YOKE SET	01	36V - 48V	v3 with 1 bushing, 2 bolts and 4 washers
4	YBU-003	BUSHING, YOKE	01	36V - 48V	1 piece
5	FBU-001	BUSHING, FOLDING	04	36V - 48V	
6	EXT-007L	EXTENSION SET, LH ARM	01	36V - 48V	with bushings
7	EXT-007R	EXTENSION SET, RH ARM	01	36V - 48V	with bushings
8	PUS-005	PU BUSHING SET (92 Shore A)	02	36V - 48V	with 3 washers and 1 retaner ring (green)
9	WA-005	WASHER, PU BUSHING retaining	02	36V - 48V	39.8x34x1
10	RTR-001	RETAINING RING , PU BUSHING	02	36V - 48V	42.5 x 1.75 C ring
11	SM-001	SHIM, MAIN AXLE	04	36V - 48V	27 x 14 x 2
12	BT-022B	BOLT, MAIN AXLE	02	36V - 48V	M8 x 20mm hex5
13	AXS-014	AXLE SET, MAIN	01	36V - 48V	
14	CMA-001	CLAMP SET, MAIN AXLE	01	36V - 48V	
15	WA-004	WASHER, PU BUSHING inside	02	36V - 48V	up to Dec2015, 22x12x2
	WA-007	WASHER, PU BUSHING inside	02	36V - 48V	from Jan2016, 22x13x2
16	BT-019	BOLT, MAIN AXLE CLAMP	01	36V - 48V	M4 x 10 hex4 v3 main axle
17	WA-012	WASHER, MAIN AXLE CLAMP BOLT	01	36V - 48V	up to Dec2015, 7.5x5x1
18	FTG-001	FITTING, GREASE T8h, T12, T8s	01	36V - 48V	up to Dec2015

*Quantity needed to 1 cambering set.

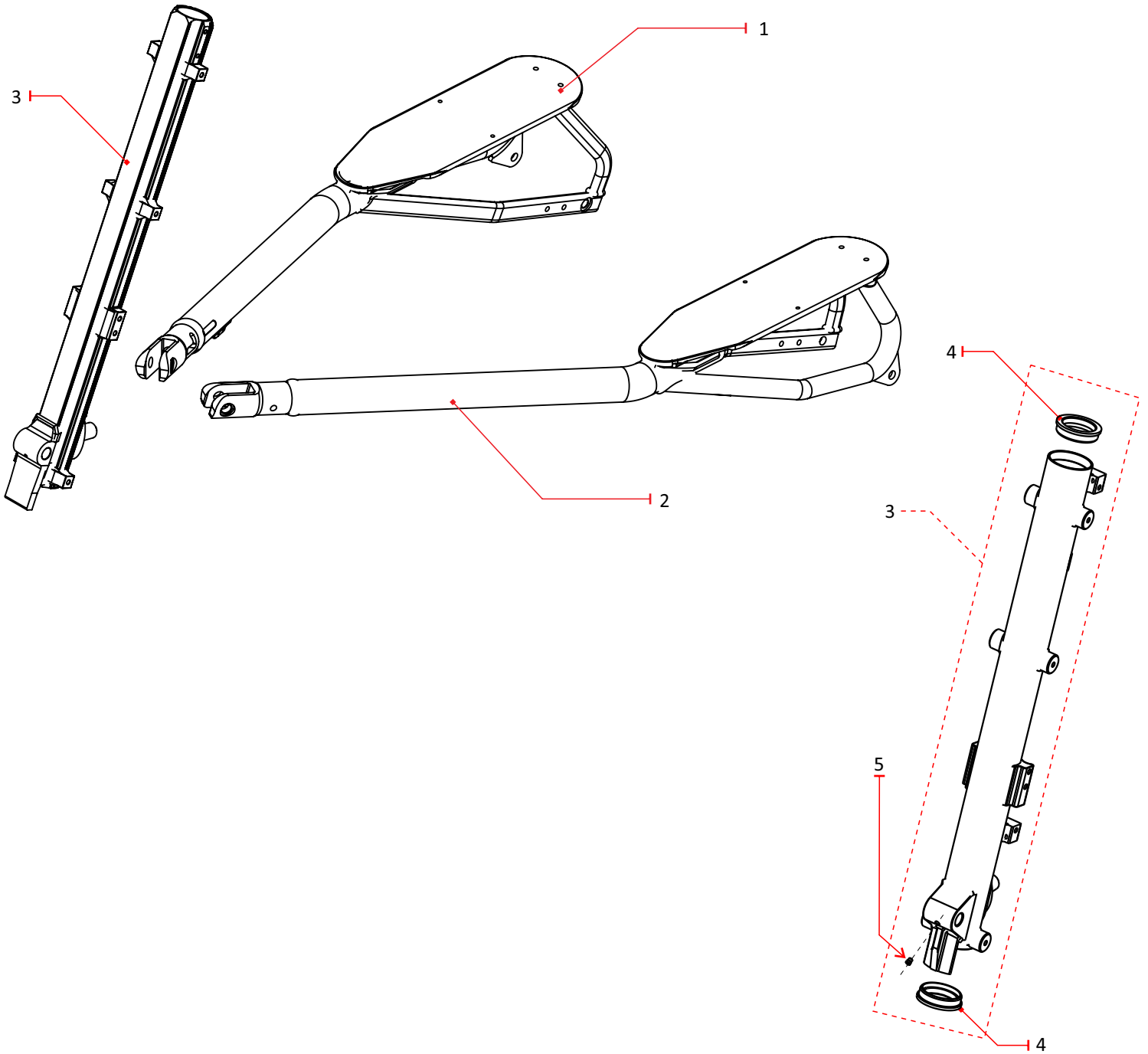
Group: FOLDING (F)



ITEM	REFERENCE	PART NAME	QTY*	MODEL	NOTE
1	BT-021	BOLT, FOLDING AXLE	02	36V - 48V	up to Dec2015, M8X15X17
	BT-051	BOLT, FOLDING AXLE	02	36V - 48V	from Jan2016, M8X10X17
2	AXS-001B	AXLE SET, FOLDING	02	36V - 48V	with bolt and 2 plastic bushing
3	FKB-001	KNOB, FOLDING	02	36V - 48V	black knob
4	LPN-001	LOCK-PIN, folding	02	36V - 48V	OLD AND NEW
5	SPL-001	SPRING, FOLDING	02	36V - 48V	wire 1.1mm
6	FBU-001	BUSHING, FOLDING	04	36V - 48V	

*Quantity needed to 1 folding set.

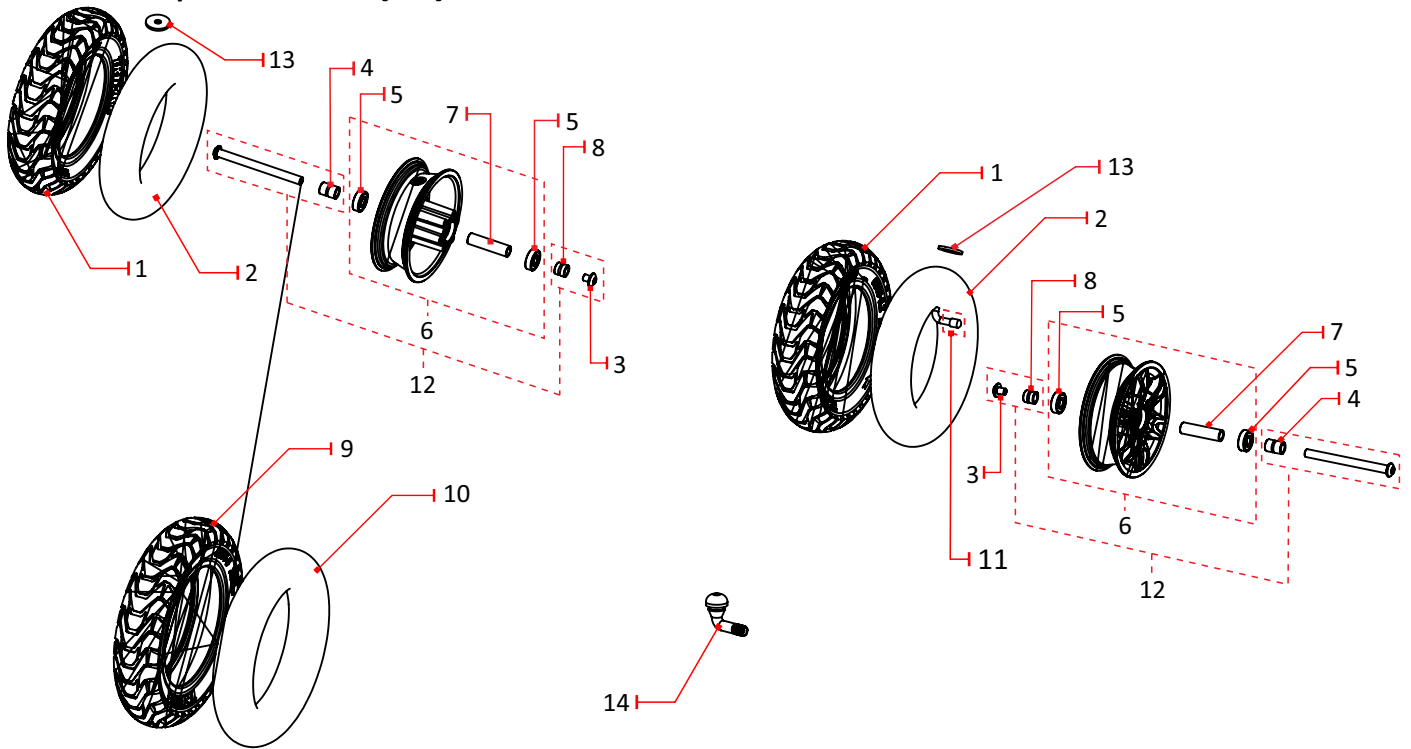
Group: FRAME (F)



ITEM	REFERENCE	PART NAME	QTY*	MODEL	NOTE
1	AB-019	ARM BASIC, RH	01	36V - 48V	up to Dec2015
	AB-035	ARM BASIC, RH	01	36V - 48V	from Jan2016
2	AB-020	ARM BASIC, LH	01	36V - 48V	up to Dec2015
	AB-036	ARM BASIC, LH	01	36V - 48V	from Jan2016
3	FSS-008	FRONT STRUCTURE SET	01	36V - 48V	until October 2014 (round front structure)
	FS-003	FRONT STRUCTURE WELDED	01	36V - 48V	from Oct 2014 on (square front structure)
4	ADP-001	ADAPTER, FRONT STRUCTURE END	02	36V - 48V	up to Dec2015
5	FTG-001	FITING, GREASE	01	36V - 48V	up to Dec2015

*Quantity needed to 1 frame set.

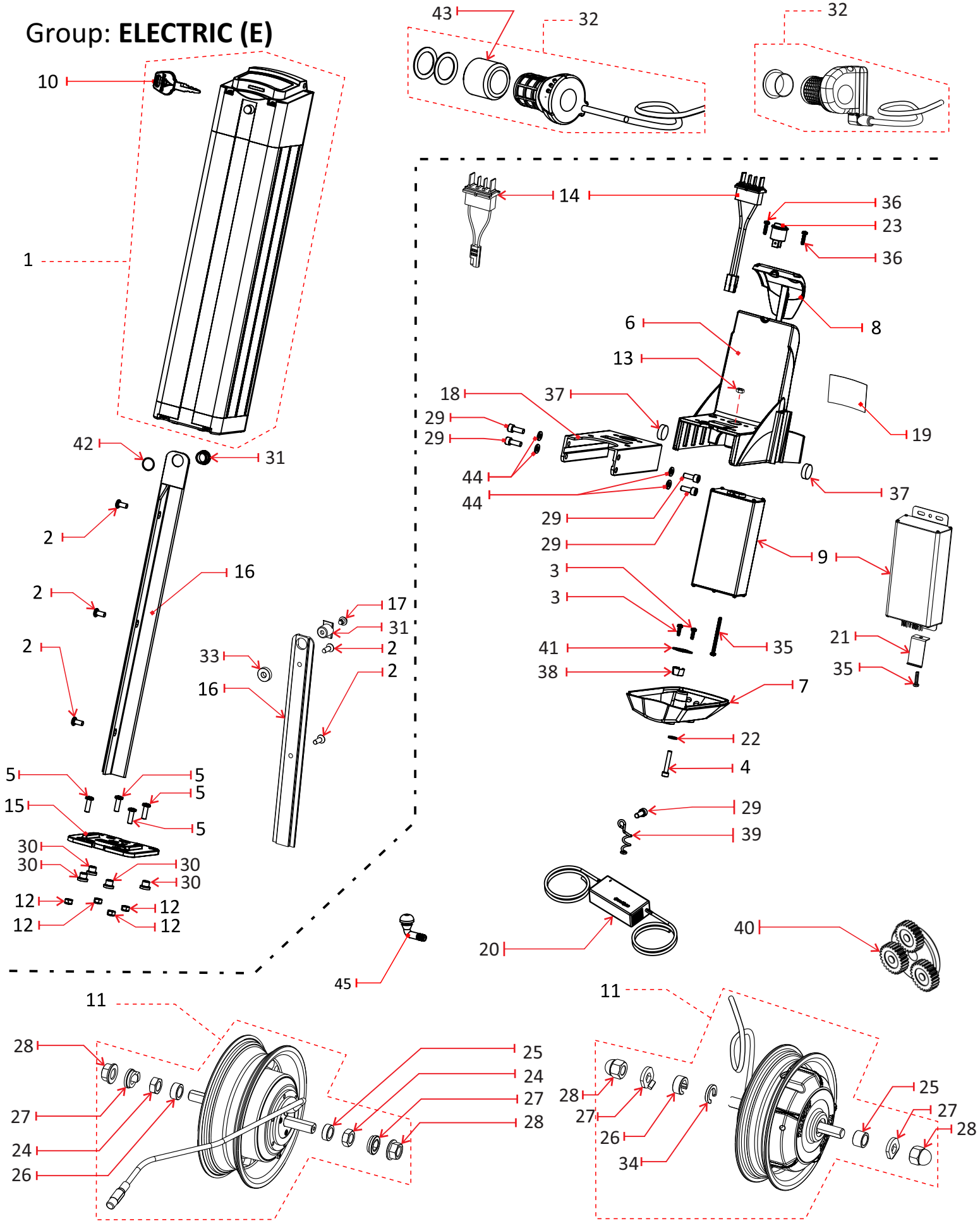
Group: WHEEL (W)



ITEM	REFERENCE	PART NAME	QTY*	MODEL	NOTE
1	TR-006	TIRE 9.5" x 2.5"	02	36V - 48V	up to Dec2015, rear tire - heavy duty
	TR-003	TIRE 8.5" x 2"	02	36V (T8hL)	
	TR-009	TIRE 65/80-5.2 (9.5" x 2.5")	02	36V - 48V	from Jan2016, rear tire - heavy duty - knobby
2	TB-004	TUBE 9.5" x 2.5"	02	36V - 48V	up to Dec2015, rear tire
	TB-003	TUBE 8.5" x 2"	02	36V (T8hL)	
	TB-009	INNER TUBE 5.2	02	36V - 48V	from Jan2016, rear tube
3	BT-051	BOLT, REAR WHEEL AXLE	02	36V - 48V	M8 x 10 hex5
4	SW-013	SPACER, WHEEL AXLE long	02	36V - 48V	up to Dec2015, long 31.5 mm
	SW-020	SPACER, WHEEL AXLE long	02	36V - 48V	from Jan2016, long 21.5 mm
5	BE-001	BEARING, WHEEL - ABEC 5	04	36V - 48V	bearing 608ZZ
	BE-002	BEARING, WHEEL - ABEC 5	04	36V - 48V	bearing 6000ZZ (10x26x8mm)
6	RS-006	RIM SET, 8.5 WHEEL RR	02	36V - 48V	up to Dec2015, with bearings and spacer
	RS-008	RIM SET, 8.5 WHEEL RR	02	36V - 48V	from Jan2016, with bearings and spacer
7	SW-015	SPACER, WHEEL BEARING	02	36V - 48V	up to Dec2015, 37.5 mm
	SW-021	SPACER, WHEEL BEARING	02	36V - 48V	from Jan2016, 54.4 mm
8	SW-014	SPACER, WHEEL AXLE short	02	36V - 48V	up to Dec2015, short 12 mm
	SW-022	SPACER, WHEEL AXLE short	02	36V - 48V	from Jan2016, short 13.5 mm
9	TR-005	TIRE 10" x 2.5"	01	36V - 48V	up to Dec2015, 10.5 - heavy duty
	TR-004	TIRE 10" x 2"	01	36V (T8hL)	
	TR-010	TIRE 65/85-6 (10.5" x 2.5")	01	36V - 48V	from Jan2016, front tire - heavy duty - knobby
10	TB-005	TUBE 10" X 2.5"	01	36V - 48V	up to Dec2015
	TB-006	TUBE 10" X 2"	01	36V (T8hL)	
	TB-010	INNER TUBE 6.0	01	36V - 48V	from Jan2016, front tube
11	TVC-001	CAP, TIRE VALVE	03	36V - 48V	
12	AXS-015	AXLE SET, WHEEL	02	36V - 48V	up to Dec2015, with bolt and 2 wheel spacers
	AXS-020	AXLE SET, WHEEL	02	36V - 48V	from Jan2016, with bolt and 2 wheel spacers (21.5/13.5mm)
13	WA-017	WASHER, INNER TUBE RUBBER	02	36V - 48V	from Jan-2016
14	AV-001	AIR VALVE, SNAP IN (tubeless)	02	36V - 48V	from Jan-2016

*Quantity needed to 1 wheel set.

Group: ELECTRIC (E)



Group: ELECTRIC (E)

ITEM	REFERENCE	PART NAME	QTY*	MODEL	NOTE
1	BAT-003	BATTERY, Li-ion 36V-9Ah	01	36V	YikLik KLC52H05S.082 (Li-ion Panasonic 36V-9Ah)
	BAT-004	BATTERY, Li-ion 48V-11.25Ah	01	48V	YikLik KLC52H03B.082 (Li-ion Panasonic 48V-11.25Ah)
	BAT-005	BATTERY, Li-ion 36V-4.5Ah	01	36V (T8hL)	YikLik KLC52H04S.802 (Li-ion 36V-4.5Ah) CH cells
2	BT-016	BOLT, Battery Rail	02	36V - 48V	M5x15 hex4 counter sink
	BT-052	BOLT TORX SECURITY T25H, RAIL	03	36V - 48V	M5 x 10mm
3	BT-035	SCREW, PAN/CONTROLLER	02	36V - 48V	up to Dec2015, SCREW TO PLASTICS 4 x 10 x 7
	BT-053	SCREW, PAN/CONTROLLER	02	36V - 48V	from Jan2016, SCREW TO PLASTICS 4 x 12 x 7
4	BT-024	BOLT, PAN	01	36V - 48V	M5 x 30 hex4
5	BT-025	BOLT, BATTERY PLATE	04	36V - 48V	M5 x 15 flat phillips
6	CB-001	BOX, controller	01	36V - 48V	
7	CB-002	PAN, controller box	01	36V - 48V	up to Dec-2013
	CB-002B	PAN, controller box	01	36V - 48V	with bottom motor connector (from Dec 2013)
8	CB-003	CAP, controller box	01	36V - 48V	
9	CON-001	CONTROLLER, 36V Motor 14A	01	36V	either 180W or 250W motor - power plug A or B
	CON-002	CONTROLLER, 48V Motor 17A	01	48V	up to Dec-2013 (power plug A or B)
	CON-003	CONTROLLER, 48V Motor 17A	01	48V	from Oct-2014 (new motor connectors A or B)
	CON-004	CONTROLLER, 48V Motor 17A	01	48V	motor connector B with 12v plug
	CON-004	CONTROLLER, 48V Motor 17A	01	48V	from Jan 2016 on - motor connector B with 12v plug - 3 speed
10	KEY-001	KEY, Blank Battery (no code)	01	36V - 48V	
	KEY-002	KEY, Copy Battery Key	01	36V - 48V	copy made according to Battery Key code
11	MTR-003	MOTOR, 10" 36V-250W	01	36V	short cable T8h
	MTR-004	MOTOR, 10" 48V-350W	01	48V	
	MTR-004B	MOTOR, 10" 48V-350W	01	48V	from Oct-2014 (AKM)
	MTR-005	MOTOR, 10" 36V-180W	01	36V (T8hL)	
	MTR-005B	MOTOR, 10" 36V-180W	01	36V (T8hL)	from Oct-2014 (AKM)
12	NT-002	NUT, M5 NYLOCK CONTR BOX	04	36V - 48V	
13	NT-003	NUT, M5 CONTR BOX	01	36V - 48V	
14	PCB-001	POWER CONNECTOR, battery	01	36V - 48V	up to Dec-2013
	PCB-001B	POWER CONNECTOR, battery	01	36V - 48V	new connector to controller (powerpole) (from Dec-2013)
15	PLT-001	Plate, base battery - 36V	01	36V	
	PLT-002	Plate, base battery - 48V	01	48V	
16	RAL-001	RAIL, BATTERY LI ION 36V/8800mAh/324Wh	01	36V	until Oct 2014
	RAL-002	RAIL, BATTERY LI ION 48V/11250mAh/540Wh	01	48V	until Oct 2014
	RAL-003	RAIL, BATTERY LI ION 48V/11250mAh/540Wh	01	48V	From Nov 2014 on
	RAL-004	RAIL, BATTERY LI ION 36V/8800mAh/324Wh	01	36V	From Nov 2014 on
17	SBL-001	RUBBER STOPPER, BATTERY LOCK	01	36V - 48V	
18	SR-002	SCISSOR, FRONT STRUCTURE	01	36V - 48V	up to Dec-2013
	SR-003	SCISSOR, FRONT STRUCTURE	01	36V - 48V	
19	STK-005	STICKER, WARNING	01	36V - 48V	up to Dec-2015
20	CHG-002	CHARGER, Li-ion 100V-240V 36V-1.5A	01	36V	spec power cord standard (USA, EU, UK)
	CHG-003	CHARGER, Li-ion 100V-240V 48V-3.5A	01	48V	spec power cord standard (USA, EU, UK)
	CHG-004	CHARGER, Li-ion 100V-240V 48V-2A - slow smaller for car	01	48V	spec power cord standard (USA, EU, UK)
21	ZCL-001	Z clamp, controller motor 48V	01	48V	up to Dec-2013
	WA-008	Washer, controller motor 36V (z clamp)	01	36V	
22	WA-009	WASHER, CONTROLLER BOX PAN	01	36V - 48V	
23	WIR-002	SPEED SWITCH	01	36V - 48V	with Wire
24	MNT-003	NUT, motor axle	02	36V - 48V	M12 x 1.25 x 7 (from Dec 2013)
25	MSP-001	SPACER, motor axle LH	01	36V - 48V	up to Dec-2013
	MSP-005	SPACER, motor axle LH short	01	36V - 48V	Ø18 x 6.2 x Ø12.1 (from Dec 2013)
26	MSP-003	SPACER, motor axle RH long	01	36V - 48V	up to Dec-2013
	MSP-004	SPACER, motor axle RH long	01	36V - 48V	Ø18 x 7.8 x Ø12.1 (from Dec 2013)
27	MWA-001	WASHER, motor axle lock	02	36V - 48V	up to Dec-2013
	MWA-003	WASHER, motor axle lock	02	36V - 48V	Ø21.7 x 9 (from Dec 2013)
28	MNT-001	LUG NUT, motor axle	02	36V - 48V	up to Dec-2013
	MNT-002	LUG NUT, motor axle	02	36V - 48V	M12 x 1.25 (from Dec-2013)
29	BT-015	BOLT, SCISSOR	05	36V - 48V	M6 x 15 hex5 (up to Dez-2015)
	BT-055	BOLT, SCISSOR	05	36V - 48V	M6 x 16 hex5 (DIN 912) (from Jan-2016)

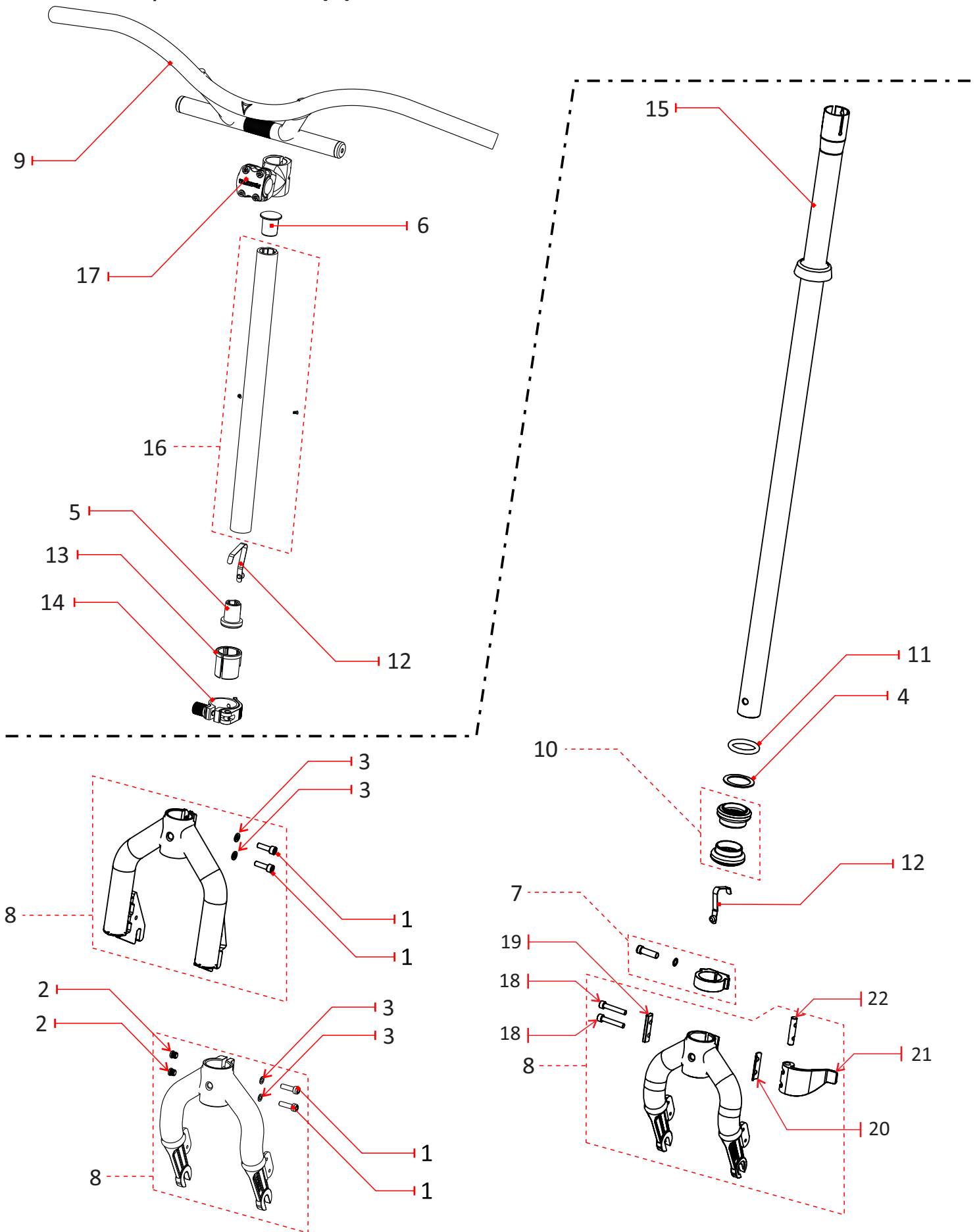
*Quantity needed to 1 electric set.

Group: ELECTRIC (E)

ITEM	REFERENCE	PART NAME	QTY*	MODEL	NOTE
30	RSB-001	RUBBER SEAT, BATTERY	04	36V - 48V	
31	THI-001	THIMBLE, BATTERY LOCK	01	36V - 48V	up to Dec-2013
	THI-002	THIMBLE, BATTERY LOCK	01	36V - 48V	
32	TRL-002	THROTTLE , 36V SPEED (1150mm)	01	36V	Throttle only, no grips (up to Oct-2014)
	TRL-003	THROTTLE , 48V SPEED (1150mm)	01	48V	Throttle only, no grips (up to Dec-2013)
	TRL-004	THROTTLE , 36V SPEED (1150mm)	01	36V	Throttle only, no grips, new connector, no push button (from Oct-2014)
	TRL-005	THROTTLE , 48V SPEED (1150mm)	01	48V	Throttle only, no grips, new connector, no push button (from Dec-2013)
33	SRL-001	SPACER, 48V RAIL	01	48V	used on T8h 48Vx1 (up to Dec-2013)
34	MSP-002	SPACER, motor axle RH short	01	36V - 48V	up to Dec-2013
35	BT-023	SCREW, CAP/CONTROLLER	01	36V - 48V	SCREW TO PLASTICS 4 x 15 x 7 (up to Dec-2013)
	BT-023	SCREW, CAP/CONTROLLER	01	36V	SCREW TO PLASTICS 4 x 15 x 7 (from Dec-2015)
	BT-023A	SCREW, CAP/CONTROLLER	01	36V - 48V	SCREW TO PLASTICS 4 x 40 x 7 (from Dec-2013 up to Dec-2015)
	BT-023B	SCREW, CONTROLLER	01	48V	SCREW TO PLASTICS 4 x 50 x 7 (from Dec-2015)
36	BT-023	SCREW, CAP/CONTROLLER	02	36V - 48V	SCREW TO PLASTICS 4 x 15 x 7 (from Dec-2013)
37	PAD-001	PAD, CUSHION Ø20 x 6t	02	36V - 48V	from Dec-2013
38	SLC-001	SLEEVE, CLAMP Ø16 x Ø12 x 9	01	36V - 48V	
39	HMC-001	HOLDER, MOTOR CABLE	01	36V - 48V	from Dec-2013
40	MCS-001	CLUTCH SET, Motor	01	36V - 48V	Check tooth size 28T or 36T (up to Dec-2013)
41	WA-018	WASHER, SLEEVE	01	36V - 48V	from Oct-2014
42	OR-002	O'RING, THIMBLE (12 x 1)	01	36V - 48V	
43	HG-008	GRIP, THROTTLE FOAM	01	36V - 48V	from Oct-2014
44	WA-019	WASHER, Ø12 x Ø6.4 x 1.6 (DIN 125 A)	04	36V - 48V	from Jan-2016
45	AV-001	AIR VALVE, SNAP IN (tubeless)	01	36V - 48V	from Jan-2016

*Quantity needed to 1 electric set.

Group: **STEERING (S)**

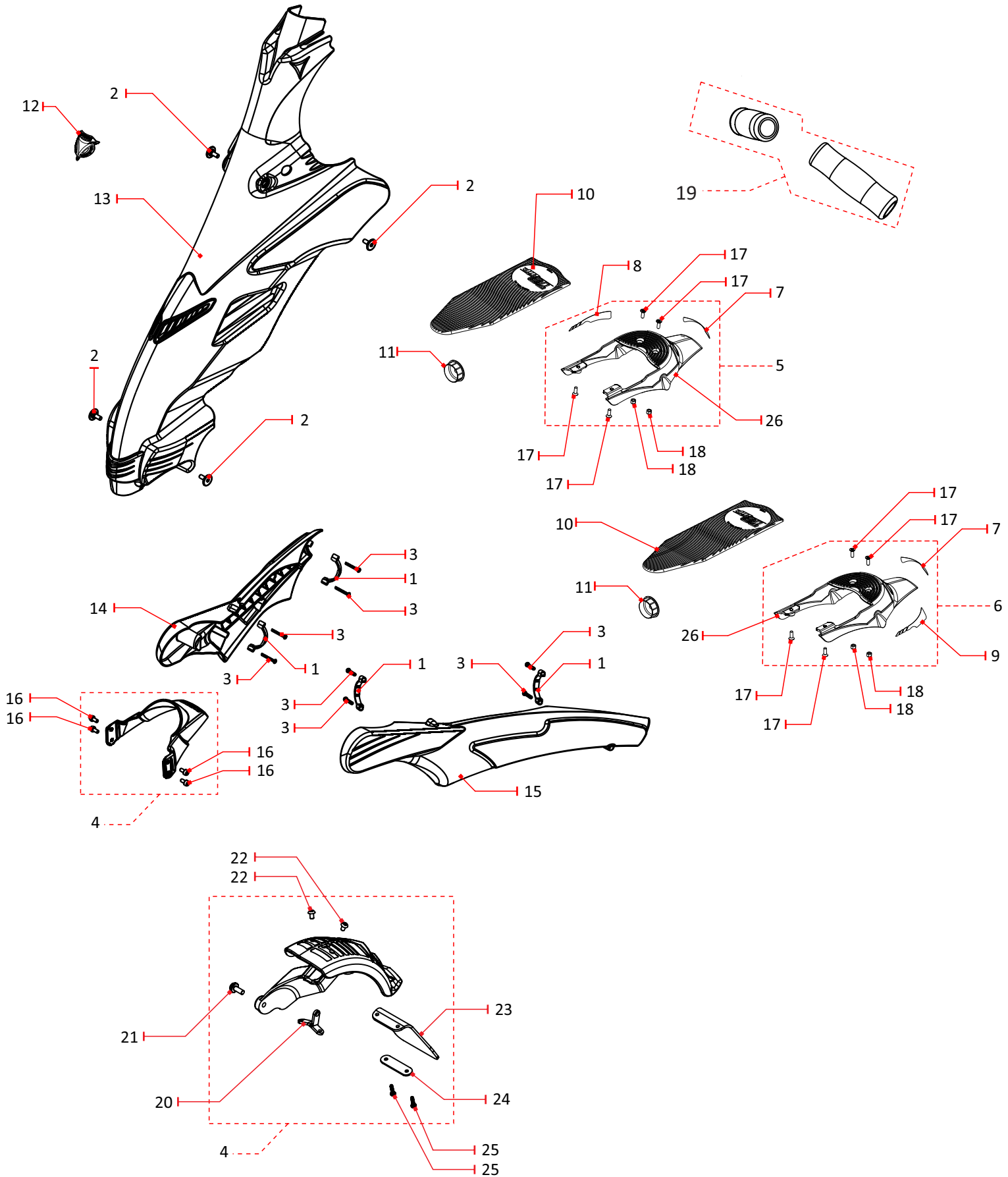


Group: STEERING (S)

ITEM	REFERENCE	PART NAME	QTY*	MODEL	NOTE
1	BT-001	BOLT, FRONT FORK CLAMP	02	36V - 48V	M6 x 20mm
2	INS-001	INSERT, STEEL THREADED FORK/ST CLAMP	02	36V - 48V	
3	WA-001	WASHER, CLAMP FRONT FORK	02	36V - 48V	9x6.5x1.2
4	WA-006	WASHER, HEADSET	01	36V - 48V	
5	PSP-002	PLUG, STEM POST GUIDE	01	36V - 48V	up to Dec-2015
	PSP-005	PLUG, STEM POST GUIDE does not exist	01	36V - 48V	from Jan-2016
6	PSP-003	PLUG, STEM POST TOP	01	36V - 48V	
7	CSS-001	CLAMP SET, STEERING AXLE	01	36V - 48V	up to Dec-2015
	CSS-001B	CLAMP SET, STEERING AXLE	01	36V - 48V	from Jan-2016
8	FKS-009	FORK SET, FR	01	36V - 48V	up to Dec-2013
	FKS-011	FORK SET, FR	01	36V (T8hL)	steel, interchangeable with FKS-009
	FKS-012	FORK SET, FR	01	36V - 48V	new quick-release clamp (from Dec-2013)
	FKS-013	FORK SET, FR DISC BRAKE T8h	01	36V - 48V	
9	HB-008	HANDLEBAR	01	36V - 48V	gullwing (up to Dec-2013)
	HB-012	HANDLEBAR	01	36V (T8hL)	steel, interchangeable with HB-008 (up to Dec-2013)
	HB-015	HANDLEBAR narrow	01	36V - 48V	steel, L=620mm interchangeable with HB-008 (from Dec-2013)
10	HS-003	HEAD SET, THREDDLESS	01	36V - 48V	threadless
11	OR-001	O'RING, HEADSET	01	36V - 48V	
12	PP-003	PUSH PIN	02	36V - 48V	
13	QRB-001	BUSHING, QR	01	36V - 48V	
14	QRS-001	CLAMP SET, QR	01	36V - 48V	up to Dec-2015
	QRS-005	CLAMP SET, QR T8h does not exist	01	36V - 48V	from Jan-2016
15	SA-006	STEERING AXLE	01	36V - 48V	v3, spec color or just black for replacement
16	SPS-005	STEM POST SET, STEERING	01	36V - 48V	for bolted stem
17	STS-001	STEM SET, STEERING	01	36V - 48V	up to Dec-2015
	STS-005	STEM SET, STEERING T8h	01	36V - 48V	from Jan-2016
18	BT-037	BOLT, QR CLAMP FORK	02	36V - 48V	M6 x 32mm (from Dec-2013)
19	PQR-001	PLATE, QUICK RELEASE	01	36V - 48V	from Dec-2013
20	SQR-001	SEAT, QUICK RELEASE	01	36V - 48V	from Dec-2013
21	LQR-001	LEVER, QUICK RELEASE	01	36V - 48V	from Dec-2013
22	ACQ-001	AXLE, CLAMP QR	01	36V - 48V	from Dec-2013

*Quantity needed to 1 steering set.

Group: TRIM (T)



Group: TRIM (T)

ITEM	REFERENCE	PART NAME	QTY*	MODEL	NOTE
1	BKT-008	BRACKET, skirt	04	36V - 48V	
2	BT-028	BOLT, fairing	04	36V - 48V	M6 x 12 x 20 (1 piece)
3	BT-029	BOLT, skirt	08	36V - 48V	
4	FF-004	FENDER, FR	01	36V - 48V	new 2010 with 4 bolts
5	FR-003R	FENDER, RR RH	01	36V - 48V	with reflectors, bolts and nuts
6	FR-003L	FENDER, RR LH	01	36V - 48V	with reflectors, bolts and nuts
7	RF-001	REFLECTOR, REAR FENDER REAR	02	36V - 48V	
8	RF-002	REFLECTOR, REAR FENDER RIGHT	01	36V - 48V	
9	RF-003	REFLECTOR, REAR FENDER LEFT	01	36V - 48V	
10	GT-006	GRIP MAT, PAIR	01	36V - 48V	
11	PLA-001	PLUG, ARM	02	36V - 48V	
12	BGE-002	BADGE HYBRID	01	36V - 48V	
13	FAR-001	FAIRING, style A	01	36V - 48V	spec color
14	SKT-001	SKIRT, RH style A	01	36V - 48V	spec color
15	SKT-002	SKIRT, LH style A	01	36V - 48V	spec color
16	BT-054	BOLT, FRONT FENDER	04	36V - 48V	M5 x 8 x 8.5 (DIN 912)
17	BT-016	BOLT, rear fender	08	36V - 48V	M5 x 15 hex4 counter sink
18	NT-002	NUT, M5 NYLOCK RR FENDER	04	36V - 48V	
19	HG-006	HAND GRIP PAIR, THROTTLE T8h	01	36V - 48V	up to Dec-2013
	HG-007	HAND GRIP PAIR, FOAM WITH LEATHER T8h	01	36V - 48V	from Dec-2013
	HG-008	GRIP, THROTTLE FOAM	01	36V - 48V	from Dec-2013
	HG-010	GRIP, THROTTLE RUBBER	01	36V - 48V	from Jan 2016
20	BKT-013	BRACKET, FRONT FENDER TOP WELDED	01	36V - 48V	
21	BT-015	BOLT, FENDER FR	01	36V - 48V	M6 x 15 hex5
22	BT-046	BOLT M5 x 8 x 9.5 (ISO 7380)	02	36V - 48V	M5 x 8mm
23	RMF-001	RUBBER MUDFLAP	01	36V - 48V	
24	LRM-001	LOCK, RUBBER MUDFLAP	01	36V - 48V	
25	BT-023	SCREW, RUBBER MUDFLAP	02	36V - 48V	SCREW TO PLASTICS 4 x 15 x 7
26	FR-003	FENDER, RR T8h	02	36V - 48V	no reflectors

*Quantity needed to 1 trim set.