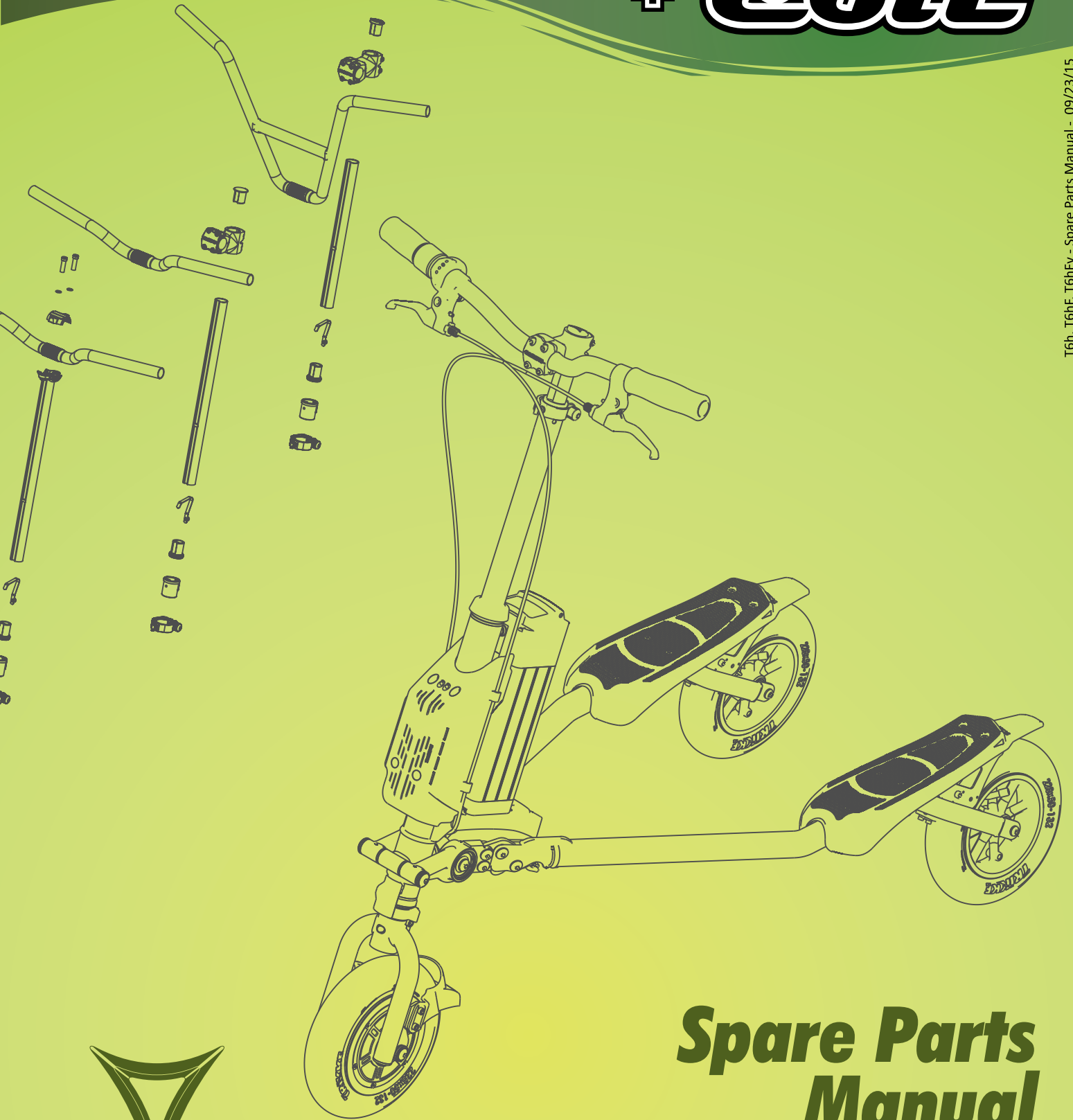


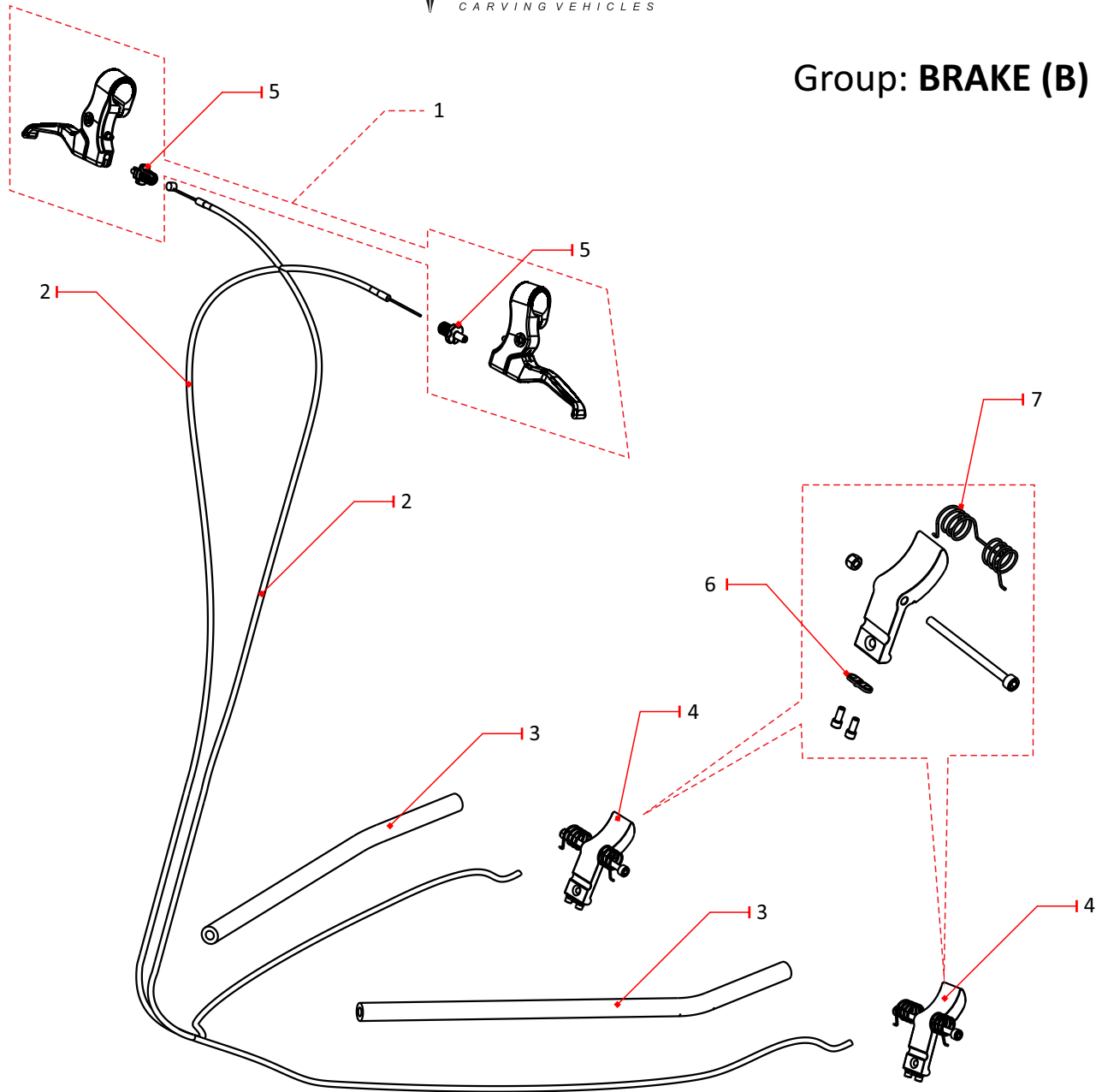
# Freedom + colt



## Spare Parts Manual

THIS MANUAL SUPPORT MODELS:  
**Freedom and Colt**  
(T6h, T6hF, T6hFv)

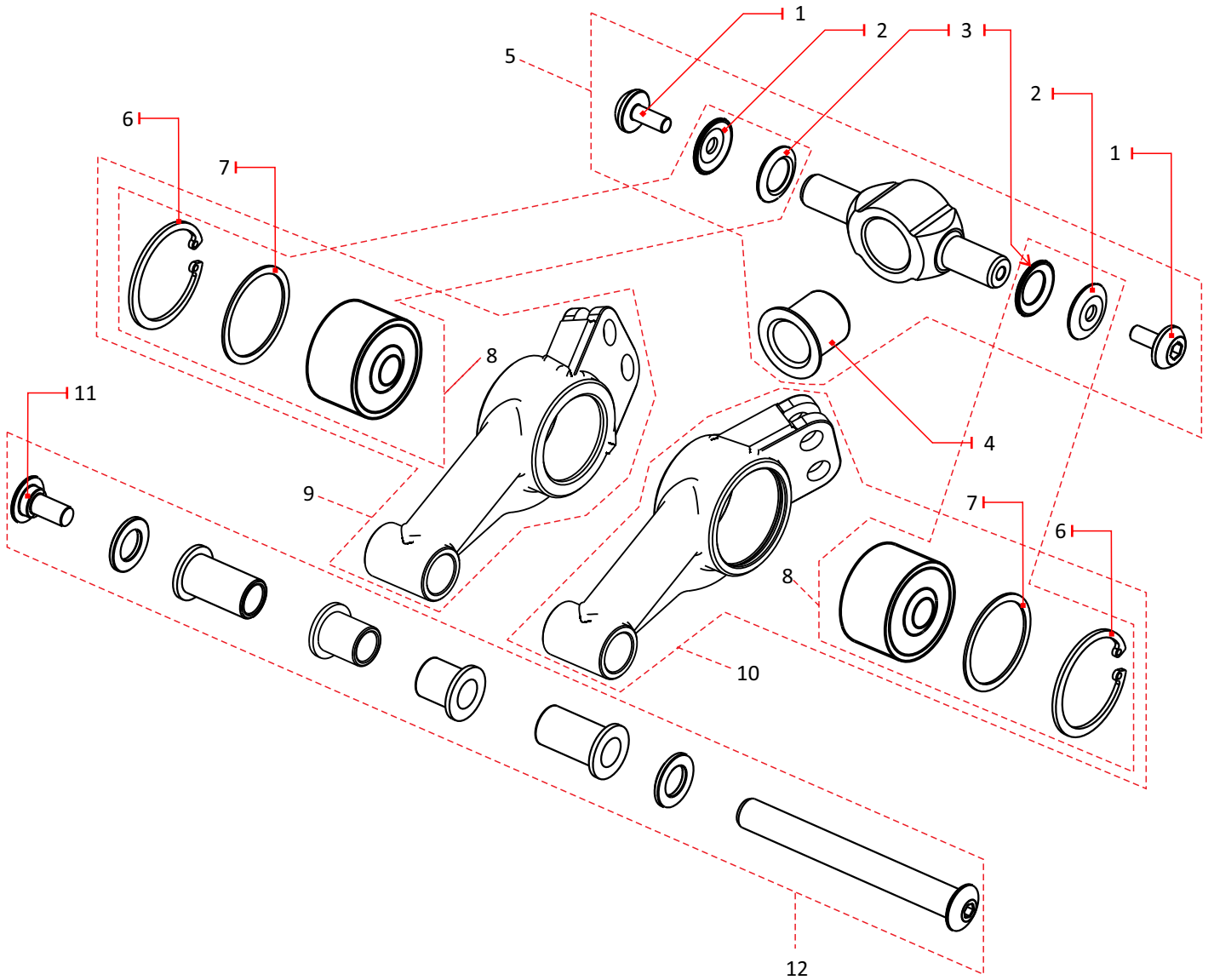
## Group: BRAKE (B)



ITEM	REFERENCE	PART NAME	QTY*	MODEL	NOTE
1	BL-005	BRAKE LEVER PAIR w/ lock	01	T6h, T6hF, T6hFv	
2	BCS-006	BRAKE CABLES SET, PAIR	01	T6h, T6hF	spec color
	BCS-009	BRAKE CABLES SET, PAIR	01	T6hFv	spec color
3	CUS-001	CUSHION, ARM BRAKE CABLE	02	T6h, T6hF, T6hFv	
4	PBS-008	PAD set, BRAKE T6h	02	T6h, T6hF, T6hFv	
5	BLA-001C	BRAKE LEVER, STOPPER CABLE	02	T6h, T6hF, T6hFv	
6	RBP-001	RETAINER, BRAKE PAD	02	T6h, T6hF, T6hFv	
7	SPL-004	SPRING, BRAKE PAD	02	T6h, T6hF, T6hFv	

\*Quantity needed to 1 brake set

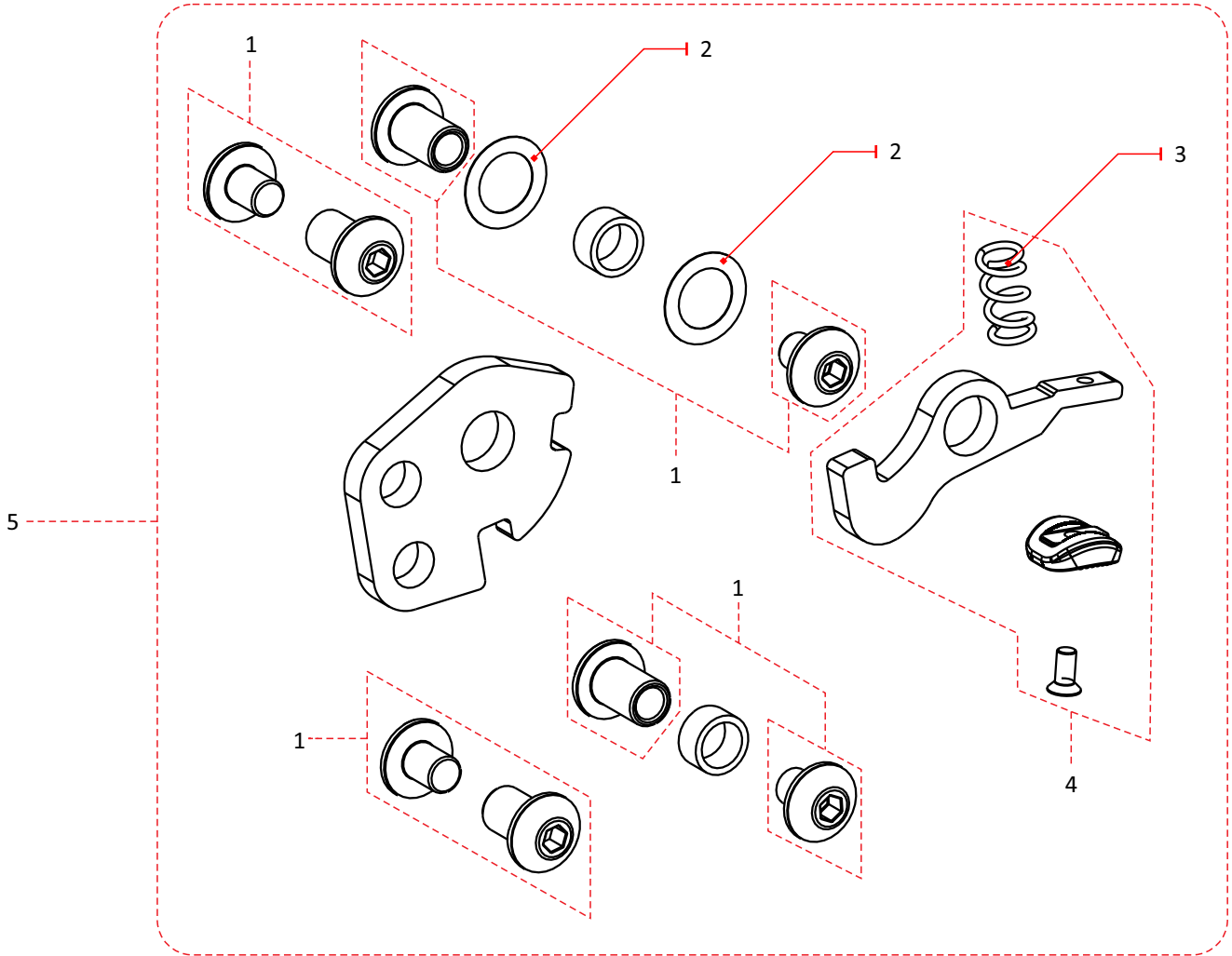
## Group: CAMBERING (C)



ITEM	REFERENCE	PART NAME	QTY*	MODEL	NOTE
1	BT-020	BOLT, YOKE all	02	T6h, T6hF, T6hFv	M6 x 15 x 17 hex5 Dacro finish
2	WA-003	WASHER, PU BUSHING outside	02	T6h, T6hF, T6hFv	22x6x2
3	WA-007	WASHER, PU BUSHING inside	02	T6h, T6hF, T6hFv	22x12x2
4	YBU-003	BUSHING, YOKE	01	T6h, T6hF, T6hFv	1 piece
5	YKS-003	YOKE SET	01	T6h, T6hF, T6hFv	v3 with 1 bushing, 2 bolts and 4 washers
6	RTR-001	RETAINING RING , PU BUSHING	02	T6h, T6hF, T6hFv	42.5 x 1.75 C ring
7	WA-005	WASHER, PU BUSHING retaining	02	T6h, T6hF, T6hFv	39.8x34x1
8	PUS-005	PU BUSHING SET (94 Shore A)	02	T6h, T6hF, T6hFv	with 3 washers and 1 retaner ring
9	EXT-005R	EXTENSION SET, RH ARM T67/T78	01	T6h, T6hF, T6hFv	with bushings
10	EXT-005L	EXTENSION SET, LH ARM T67/T78	01	T6h, T6hF, T6hFv	with bushings
11	BT-030	BOLT, MAIN AXLE	01	T6h, T6hF, T6hFv	M8 x 19mm hex5
12	AXS-008	AXLE SET, MAIN	01	T6h, T6hF, T6hFv	

\*Quantity needed to 1 cambering set

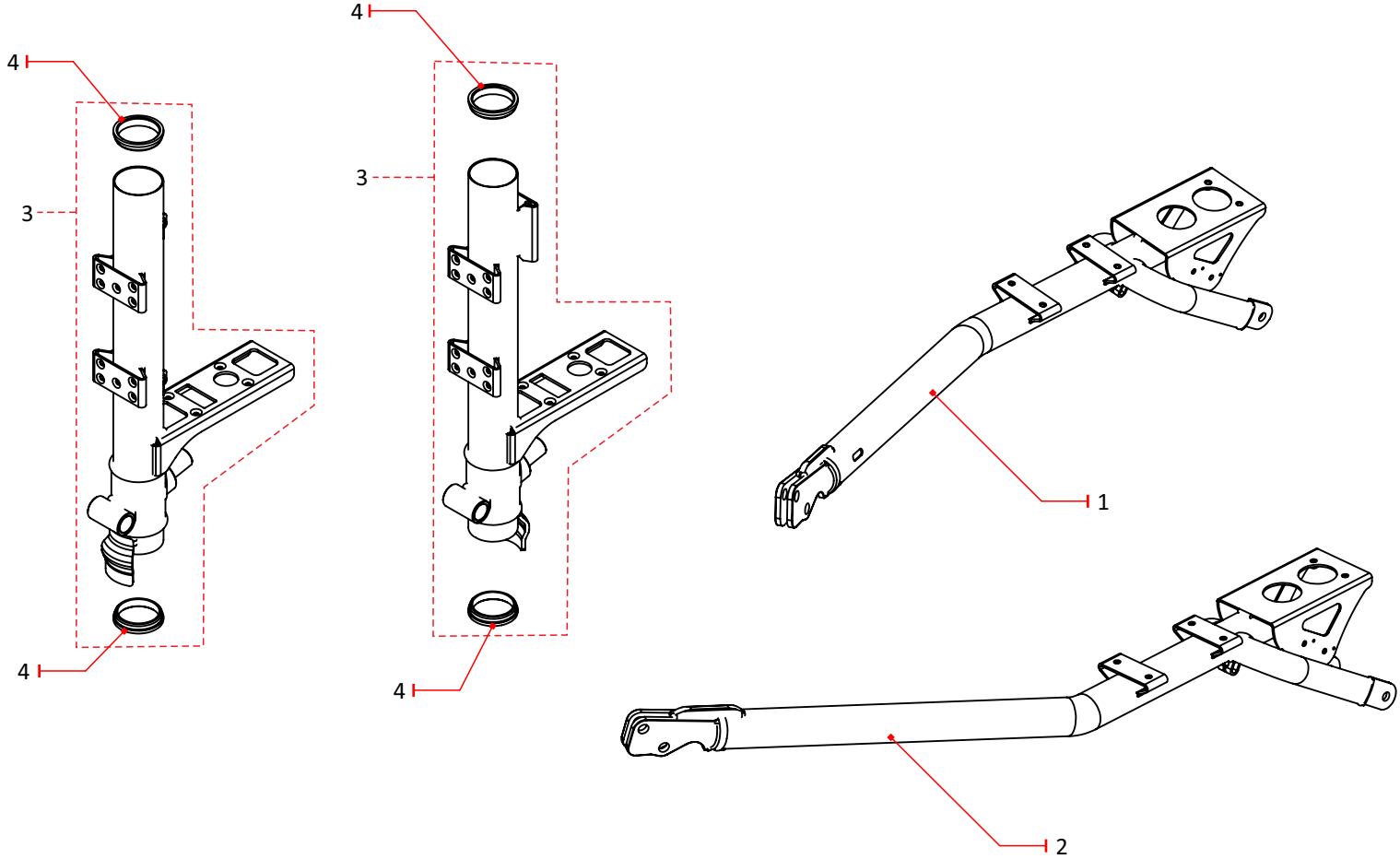
## Group: FOLDING (FS)



ITEM	REFERENCE	PART NAME	QTY*	MODEL	NOTE
1	AXS-003	AXLE SET, FOLDING	04	T6h, T6hF, T6hFv	four axle bolts
2	SM-002	SHIM, FOLDING AXLE	02	T6h, T6hF, T6hFv	16 x 10 x 0.2
3	SPL-002	SPRING, TRIGGER T67 T78	01	T6h, T6hF, T6hFv	
4	TGS-001	TRIGGER SET	01	T6h, T6hF, T6hFv	
5	FMS-001	MECHANISM SET, FOLDING	01	T6h, T6hF, T6hFv	

\*Quantity needed to 1 folding set

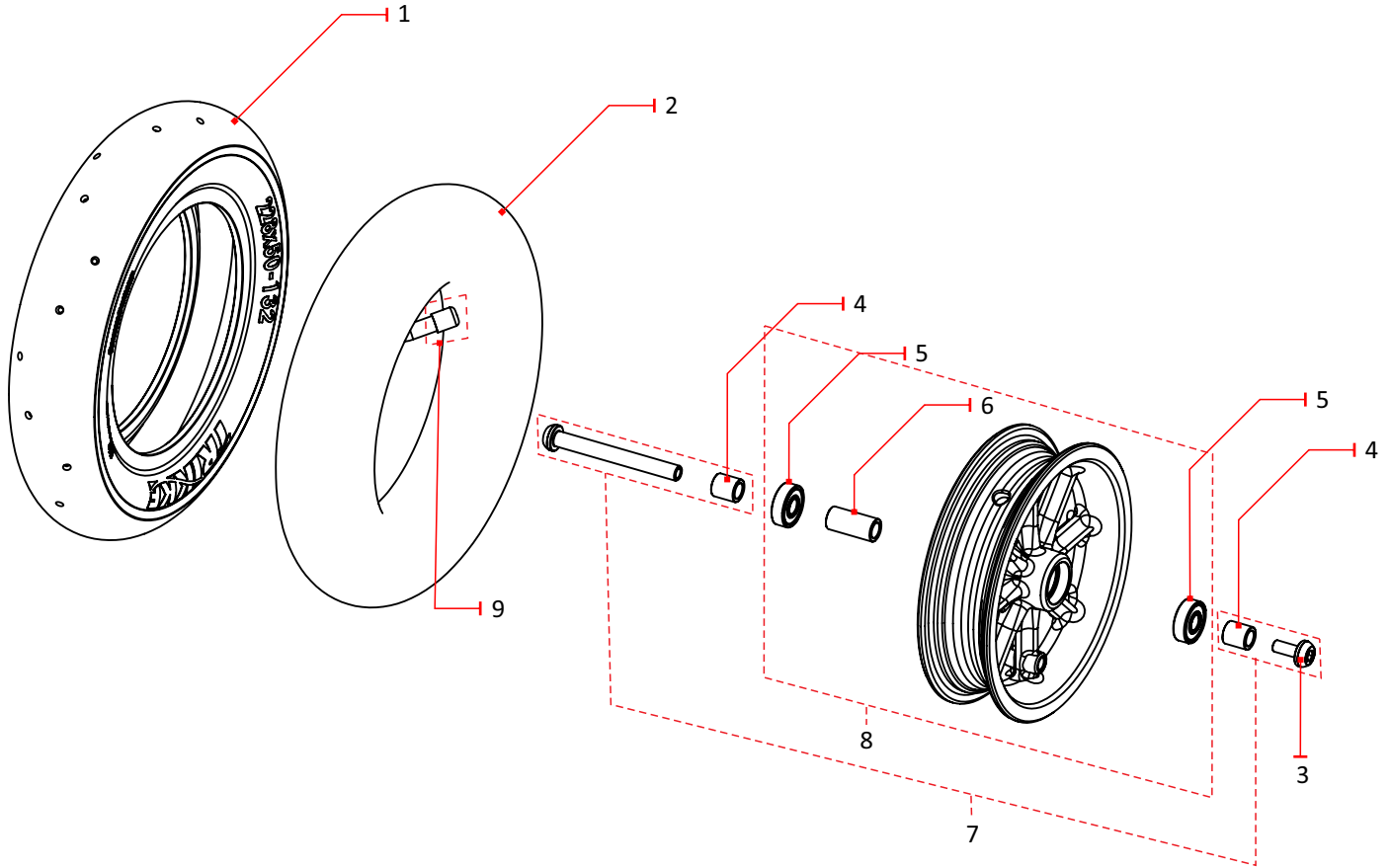
## Group: FRAME (F)



ITEM	REFERENCE	PART NAME	QTY*	MODEL	NOTE
1	AB-033	ARM BASIC, RH T6h	01	T6h, T6hF, T6hFv	
2	AB-034	ARM BASIC, LH T6h	01	T6h, T6hF, T6hFv	
3	FSS-012	FRONT STRUCTURE SET T6h	01	T6h	
	FSS-013	FRONT STRUCTURE SET T6hF	01	T6hF, T6hFv	
4	ADP-002	ADPATER, FRONT STRUCTURE END	02	T6h, T6hF, T6hFv	

\*Quantity needed to 1 frame set

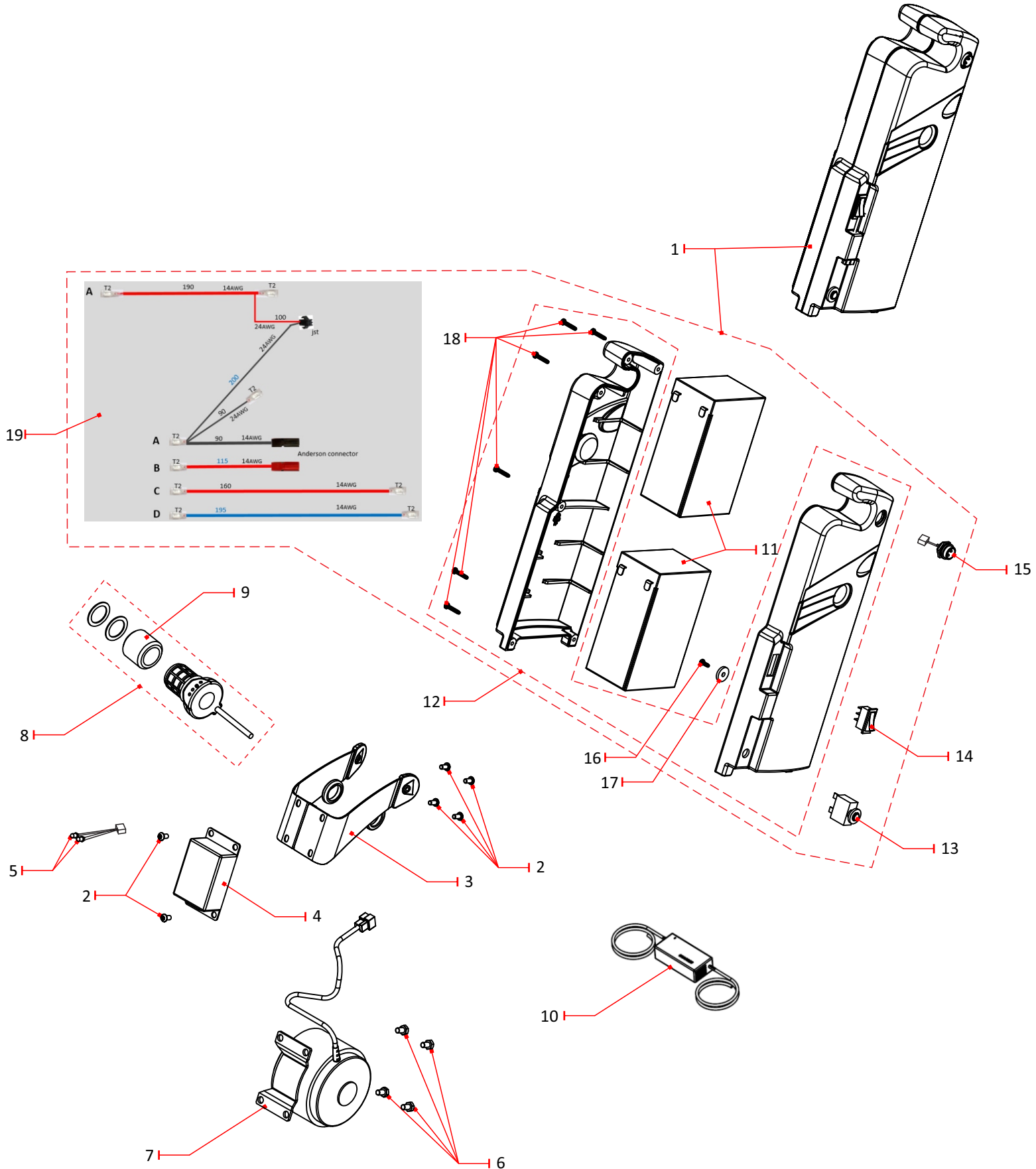
## Group: WHEEL (W)



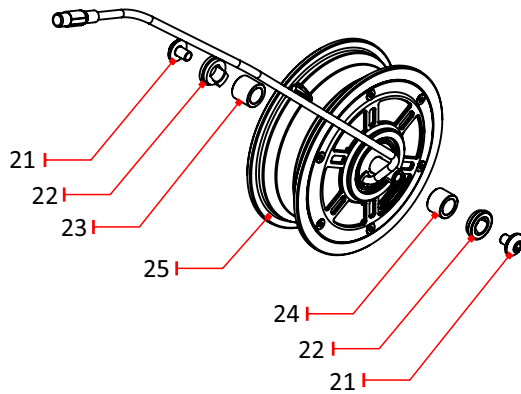
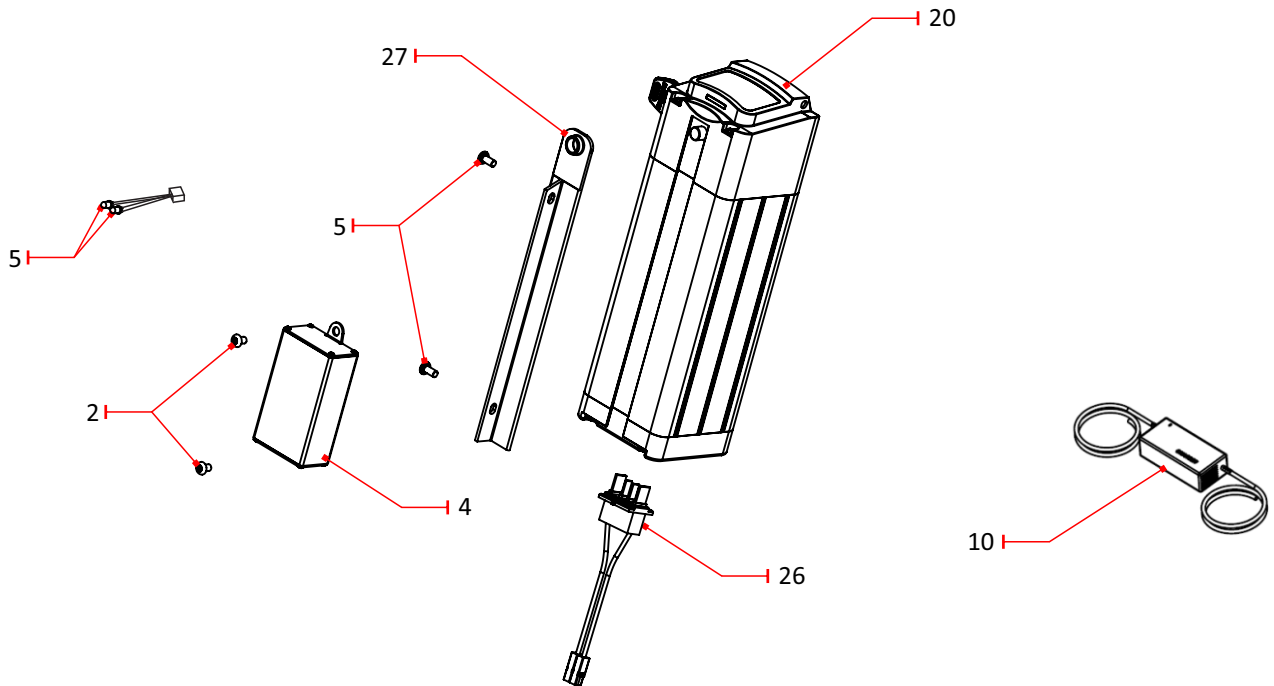
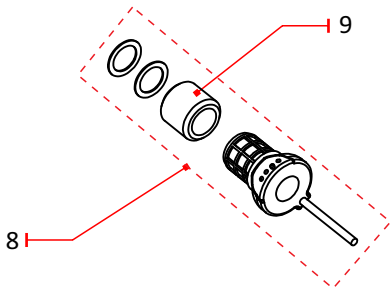
ITEM	REFERENCE	PART NAME	QTY*	MODEL	NOTE
1	TR-008	TIRE 228x50-132	01	T6h, T6hF, T6hFv	
2	TB-008	INNER TUBE 228 x 50	01	T6h, T6hF, T6hFv	
3	BT-015	BOLT, WHEEL AXLE	01	T6h, T6hF, T6hFv	M6 x 15 hex5
4	SW-005	SPACER, WHEEL AXLE	02	T6h, T6hF, T6hFv	13 mm long, air wheel
5	BE-001	BEARING, WHEEL - ABEC 5	02	T6h, T6hF, T6hFv	bearing 608ZZ (8x22x7mm)
6	SW-011	SPACER, WHEEL BEARING	01	T6h, T6hF, T6hFv	long spacer 26mm - 8"pu and 8.5" air wheels
7	AXS-017	AXLE SET, WHEEL	01	T6h, T6hF, T6hFv	with bolt and 2 wheel spacers 13 mm
8	RS-009	WHEEL SET, 132x42 rear	01	T6h, T6hF, T6hFv	with bearings and spacer, no tire
9	TVC-001	CAP, TIRE VALVE	01	T6h, T6hF, T6hFv	

\*Quantity needed to 1 wheel set

Group: **ELECTRIC (E)**



Group: **ELECTRIC (E)**



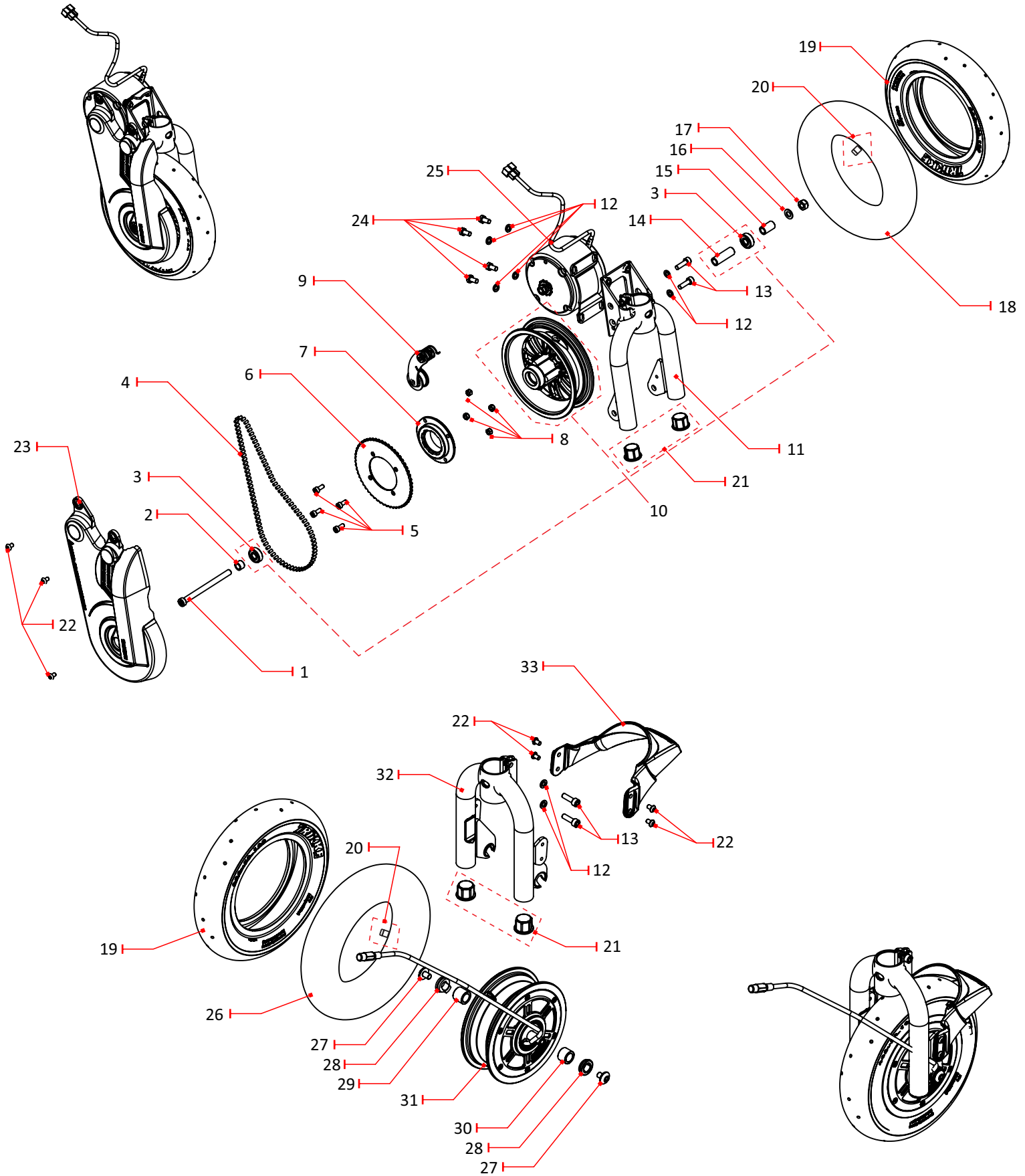


## Group: ELECTRIC (E)

ITEM	REFERENCE	PART NAME	QTY*	MODEL	NOTE
1	BAT-006	BATTERY SET, Lead Acid 24V, T6h	01	T6h	
2	BT-046	BOLT M5 x 8 x 9.5 (ISO 7380)	06	T6h, T6hF, T6hFv	M5 x 8mm
3	BKT-012	BRACKET, WING	01	T6h	
4	CON-006	CONTROLLER, 24V (T6h)	01	T6h	15A Brushed
	CON-007	CONTROLLER, 36V Motor	01	T6hF, T6hFv	13A Brushless
5	LED-001	LED, BLUE	01	T6h, T6hF, T6hFv	1pair with wire and conector
6	BT-043	BOLT, M6 x 12 hex head (DIN 933)	04	T6h	M6 x 12mm
7	MTR-006	MOTOR 150W 24V	01	T6h	
8	TRL-006	THROTTLE , 24V SPEED (1000mm)	01	T6h	Throttle only, no grips, new connector, no push button (from Dec-2013)
	TRL-004	THROTTLE , 36V SPEED (1150mm)	01	T6hFv	Throttle only, no grips, new connector, no push button (from Dec-2013)
	TRL-007	THROTTLE , 36V SPEED (1000mm)	01	T6hF	Throttle only, no grips, new connector, no push button (from Dec-2013)
9	HG-008	GRIP, THROTTLE FOAM	01	T6h, T6hF, T6hFv	
10	CHG-005	CHARGER, BATTERY - 24V/1.5A	01	T6h	DC charger 24V/1.5A 110-240V round 3 prong connector
	CHG-002	CHARGER, Li-ion 100V-240V 36V-1.5A	01	T6hF, T6hFv	spec power cord standard (USA, EU, UK)
11	BAT-007	BATTERY, Lead Acid - 12V 9Ah AGM F2 terminal	02	T6h	
12	BTB-001	BATTERY BOX, T6h	01	T6h	pair (left/right) with 6 screws
13	FUS-005	CIRCUITE BRAKE FUSE (RESETABLE)	01	T6h	
14	SWT-001	SWITCH, ON/OFF	01	T6h	
15	CC-001	CONECTOR, CHARGER LA 24V	01	T6h	
16	BT-044	SCREW (4X10)	01	T6h	SCREW TO PLASTICS 4 x 10 x 7
17	WA-016	WASHER, PLASTIC (Ø18 x Ø5.2 x 3t)	01	T6h	
18	BT-045	SCREW (4X20)	06	T6h	
19	WIR-003	WIRE HARNESS, T6h Battery	01	T6h	
20	BAT-008	BATTERY, Li-ion 36V-6.6Ah/238Wh/30cells	01	T6hF, T6hFv	Li-ion 36V-6.6Ah
	BAT-010	BATTERY, Li-ion 36V-8.8Ah/317Wh/40cells	01	T6hF, T6hFv	Li-ion 36V-8.8Ah
	BAT-011	BATTERY, Li-ion 36V-11Ah/396WH/50cells	01	T6hF, T6hFv	Li-ion 36V-11Ah
	BAT-012	BATTERY, Li-ion 36V-13,2Ah/475Wh/60cells	01	T6hF, T6hFv	Li-ion 36V-13.2Ah
21	BT-048	BOLT, M7 x 10 x 17	02	T6hF, T6hFv	M7 x 10mm
22	MWA-003	WASHER, motor axle lock	02	T6hF, T6hFv	
23	MSP-007	SPACER, motor axle RH long	01	T6hF, T6hFv	Ø18 x 15.7 x Ø12.1
24	MSP-006	SPACER, motor axle LH short	01	T6hF, T6hFv	Ø18 x 13 x Ø12.1
25	MTR-007	MOTOR 180W 36V	01	T6hF, T6hFv	
26	PCB-002B	POWER CONNECTOR, battery (T6h)	01	T6hF, T6hFv	Anderson power connector - 190mm
27	RAL-005	RAIL, BATTERY LI ION 36V/(8800mAh/324Wh)(6600mAh/238Wh)	01	T6hF, T6hFv	with thimble and o'ring
	RAL-006	RAIL, BATTERY LI ION 36V/11Ah/396Wh	01	T6hF, T6hFv	with thimble and o'ring
	RAL-007	RAIL, BATTERY LI ION 36V/13.2Ah/475Wh	01	T6hF, T6hFv	with thimble and o'ring

\*Quantity needed to 1 electric set

Group: **POWER TRAIN (P)**



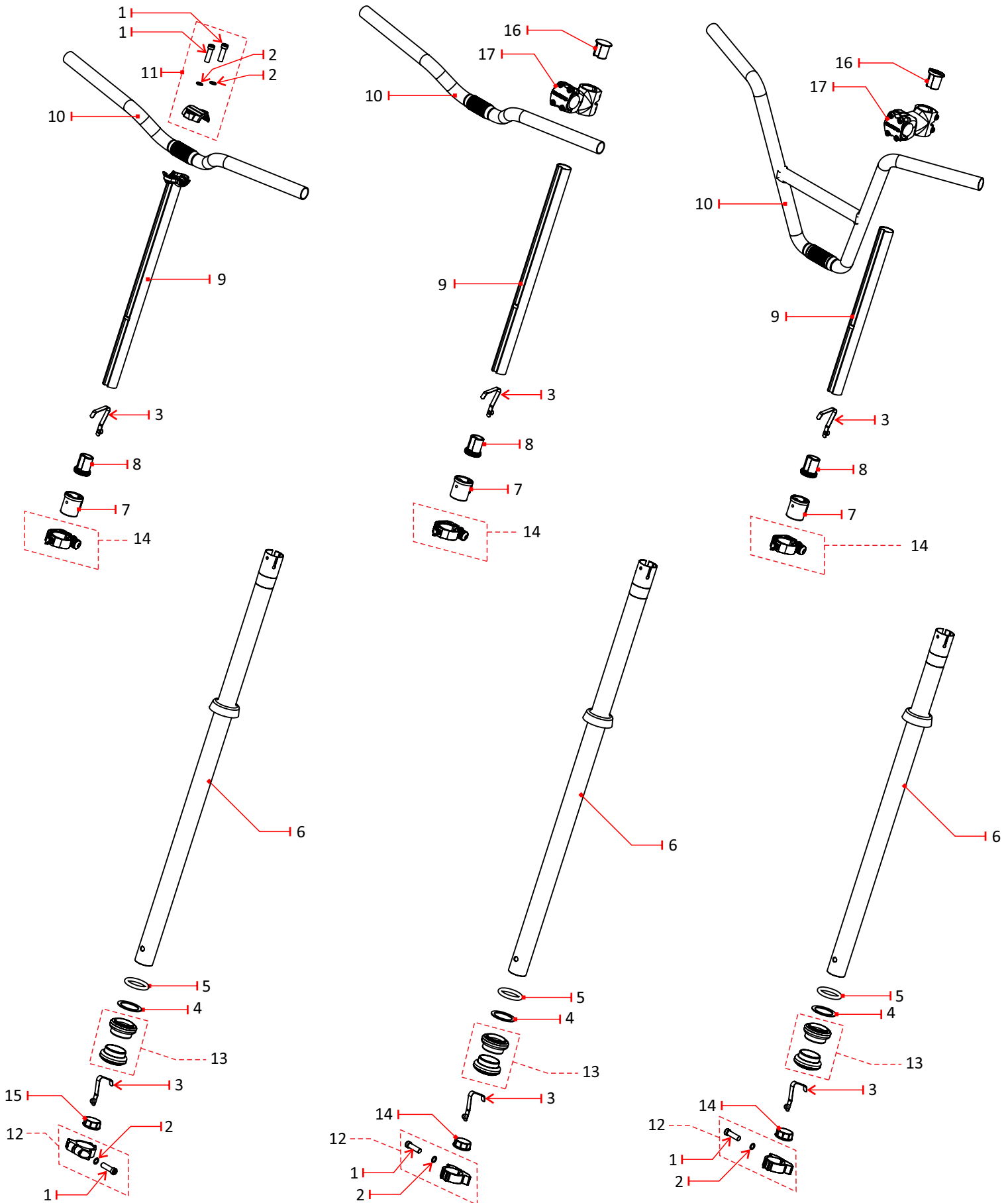
\*Quantity needed to 1 power train set

## Group: POWER TRAIN (P)

ITEM	REFERENCE	PART NAME	QTY*	MODEL	NOTE
1	AX-006	AXLE, FRONT WHEEL	01	T6h	
2	SW-018	SPACER, front WHEEL AXLE 8.5mm	01	T6h	
3	BE-001	BEARING, WHEEL - ABEC 5	02	T6h	with 1 spacer and 2 bearings
4	CHN-001	CHAIN #25	01	T6h	
5	BT-042	BOLT, M5 x 15 x 8.5 (DIN 912)	04	T6h	
6	DGR-001	DRIVEN GEAR 55 TEETH	01	T6h	
7	CLT-001	CLUTCH	01	T6h	
8	NT-002	NUT, M5 NYLOCK (DIN 985)	04	T6h	
9	TC-001	TENSIONER, CHAIN	01	T6h	
10	RS-007	WHEEL SET, 132x42 front	01	T6h	with 1 spacer and 2 bearings
11	FFK-002	FRONT FORK WELDED	01	T6h	
12	WA-001	WASHER, CLAMP FRONT FORK	06	T6h	Ø11xØ6.4x1.6
			2	T6hF, T6hFv	
13	BT-001	BOLT, M6 x 20 x 10 (DIN 912)	02	T6h, T6hF, T6hFv	M6 x 20mm
14	SW-015	SPACER, front BEARING 37.5mm	01	T6h	
15	SW-019	SPACER, front WHEEL AXLE 21mm	01	T6h	
16	WA-015	WASHER, Ø15x Ø8.4 x 1.6 (DIN 433)	01	T6h, T6hF, T6hFv	
17	NT-005	NUT NYLOCK, M8x1.25 (DIN 985)	01	T6h	
18	TB-008	INNER TUBE 228 x 50	01	T6h	
19	TR-008	TIRE 228x50-132	01	T6h, T6hF, T6hFv	
20	TVC-001	CAP, TIRE VALVE	01	T6h	
21	PLS-007	PLUGS SET	01	T6h	1 pair
22	BT-046	BOLT M5 x 8 x 9.5 (ISO 7380)	03	T6h	
23	CVC-001	COVER, CHAIN	01	T6h	
24	BT-047	BOLT, M6 x 12 hex head (DIN 933)	04	T6h	M6 x 12mm
25	MTR-006	MOTOR 150W 24V	01	T6h	
26	TB-009	INNER TUBE 228 x 50	01	T6hF, T6hFv	
27	BT-048	BOLT, M7 x 10 x 17	02	T6hF, T6hFv	M7 x 10mm
28	MWA-003	WASHER, motor axle lock	02	T6hF, T6hFv	
29	MSP-007	SPACER, motor axle RH long	01	T6hF, T6hFv	Ø18 x 15.7 x Ø12.1
30	MSP-006	SPACER, motor axle LH short	01	T6hF, T6hFv	Ø18 x 13 x Ø12.1
31	MTR-007	MOTOR 180W 36V	01	T6hF, T6hFv	
32	FFK-003	FRONT FORK WELDED	01	T6hF, T6hFv	
33	FF-004	FENDER, FR	01	T6hF, T6hFv	

\*Quantity needed to 1 power train set

Group: **STEERING (S)**

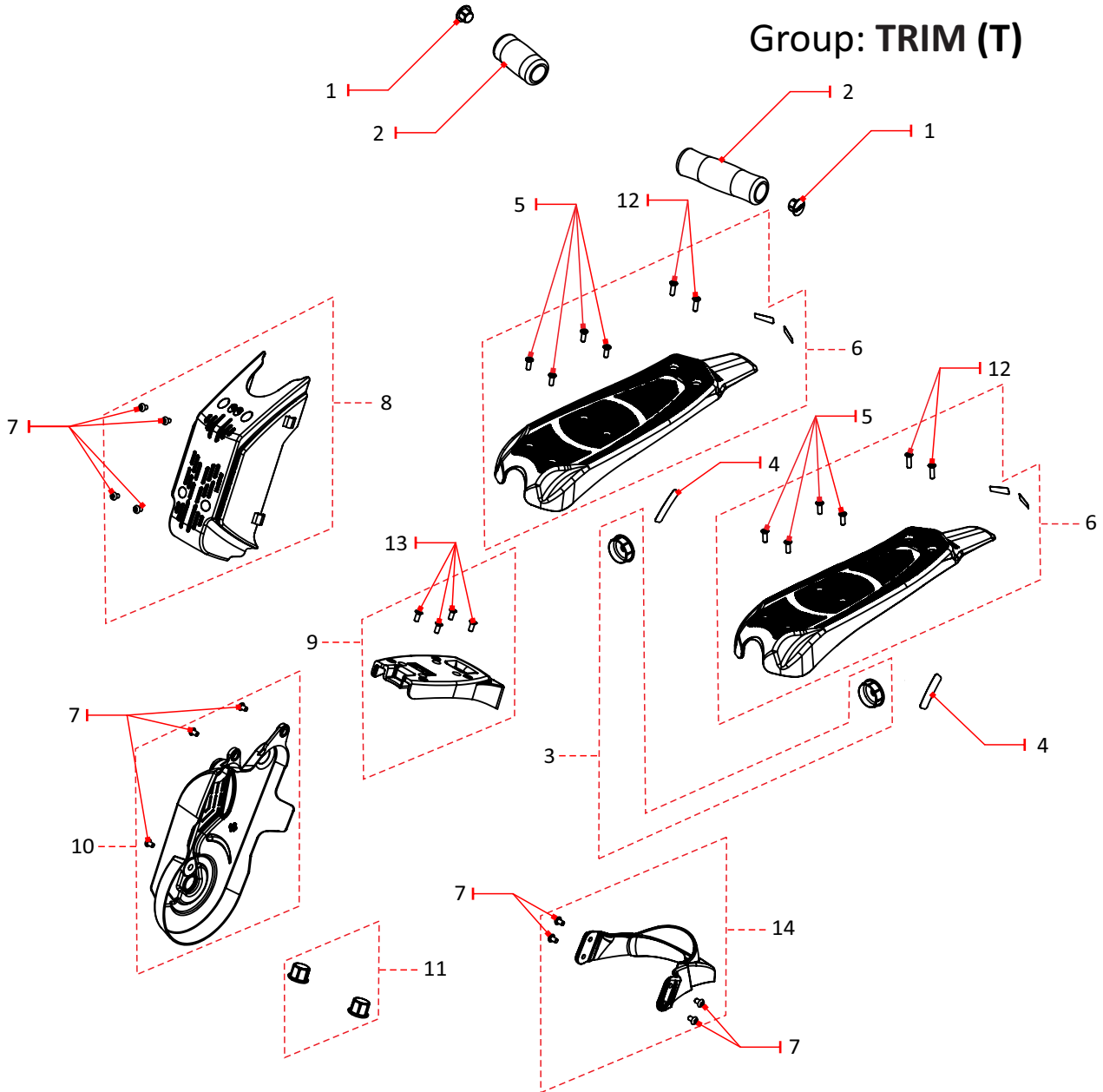


## Group: STEERING (S)

ITEM	REFERENCE	PART NAME	QTY*	MODEL	NOTE
1	BT-007	BOLT, STEM CAP AND FRONT FORK	03	T6h	M8 x 25mm
			01	T6hF, T6hFv	M8 x 25mm
2	WA-002	WASHER, CLAMP FRONT FORK/STEM CAP	03	T6h	11x8.2x1.2
			01	T6hF, T6hFv	11x8.2x1.2
3	PP-001	PUSH PIN	02	T6h, T6hF, T6hFv	
4	WA-006	WASHER, HEADSET	01	T6h, T6hF, T6hFv	
5	OR-001	O'RING, HEADSET	01	T6h, T6hF, T6hFv	
6	SA-005	STEERING AXLE T67	01	T6h, T6hF	
	SA-009	STEERING AXLE, T6hFv	01	T6hFv	
7	QRB-003	BUSHING, QR	01	T6h, T6hF, T6hFv	
8	PSP-001	PLUG, STEM POST GUIDE	01	T6h, T6hF, T6hFv	
9	SPS-006	STEM POST SET, STEERING	01	T6h	
	SPS-009	STEM POST SET, STEERING	01	T6hF	
	SPS-010	STEM POST SET, STEERING	01	T6hFv	
10	HB-005	HANDLEBAR T67	01	T6h, T6hF	
	HB-017	HANDLEBAR, T6hFv	01	T6hFv	
11	CPS-005	CAP SET, STEM	01	T6h	
12	CSS-001	CLAMP SET, STEERING AXLE	01	T6h, T6hF, T6hFv	
13	HS-003	HEAD SET, THREDLESS	01	T6h, T6hF, T6hFv	
14	QRS-004	CLAMP SET, QR	01	T6h, T6hF, T6hFv	
15	PLU-006	PLUG, STEERING AXLE	01	T6h	
16	PLU-007	PLUG, STEM POST TOP	01	T6hF, T6hFv	
17	STS-004	STEM SET, STEERING	01	T6hF, T6hFv	

\*Quantity needed to 1 steering set

## Group: TRIM (T)



ITEM	REFERENCE	PART NAME	QTY*	MODEL	NOTE
1	PLU-008	PLUG, HANDLEBAR END	02	T6h, T6hF, T6hFv	spec color
2	HG-009	HAND GRIP PAIR	01	T6h, T6hF, T6hFv	spec color
3	PLS-006	PLUGS SET	01	T6h, T6hF, T6hFv	
4	RFS-002	REFLECTOR SET	01	T6h, T6hF, T6hFv	
5	BT-010	BOLT, DECK	08	T6h, T6hF, T6hFv	M5 x 15 - countersink philips (DIN 965)
6	DK-006	DECK SET	02	T6h, T6hF, T6hFv	spec color
7	BT-046	BOLT, CONTROLLER BOX	07	T6h	M5 x 8 x 9.5 (ISO 7380)
			08	T6hF, T6hFv	
8	CB-004	CONTROLLER BOX SET	01	T6h, T6hF, T6hFv	spec color
9	TSB-001	BATTERY TRAY SET	01	T6h, T6hF, T6hFv	spec color
10	CSC-001	CHAIN COVER SET	01	T6h	spec color
11	PLS-007	PLUGS SET	01	T6h, T6hF, T6hFv	
12	BT-049	BOLT, DECK	04	T6h, T6hF, T6hFv	M5 x 18 - countersink philips (DIN 965)
13	BT-050	BOLT, TRAY	04	T6h, T6hF, T6hFv	M5 x 12 - countersink philips (DIN 965)
14	FF-004	FENDER, FR	01	T6hF, T6hFv	spec color

\*Quantity needed to 1 trim set